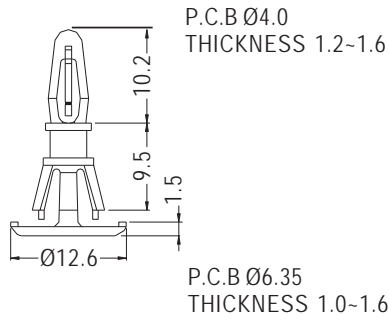


## SPACERSUPPORT



- ◆ MATERIAL: NYLON 66 (UL)
- ◆ FLAME CLASS: 94V-2/94V-0
- ◆ COLOR: NATURAL/BLACK
- ◆ UNIT: mm

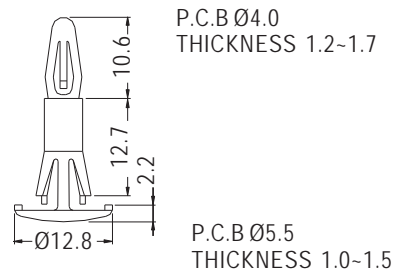


PART NO	PACKAGE
RCRA-9.5	1000

## SPACER SUPPORT



- ◆ MATERIAL: NYLON 66 (UL)
- ◆ FLAME CLASS: 94V-2/94V-0
- ◆ COLOR: NATURAL/BLACK
- ◆ UNIT: mm

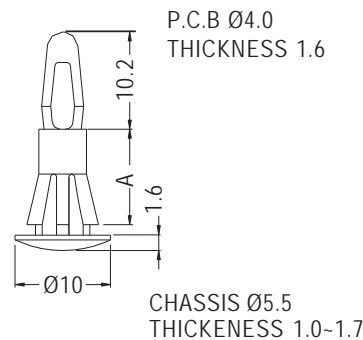


PART NO	PACKAGE
RCR-12.7	1000

## SPACERSUPPORT



- ◆ MATERIAL: NYLON 66 (UL)
- ◆ FLAME CLASS: 94V-2/94V-0
- ◆ COLOR: NATURAL/WHITE/BLACK
- ◆ UNIT: mm



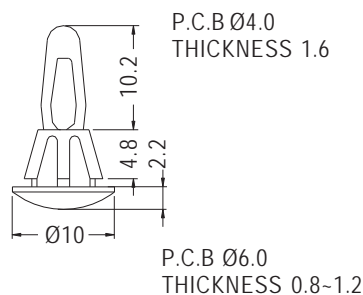
PART NO	A	PACKAGE
★ PCBT-4.8	4.8	1000
PCBT-10	10.0	

## SPACER SUPPORT



- ◆ MATERIAL: NYLON 66 (UL)
- ◆ FLAME CLASS: 94V-2/94V-0
- ◆ COLOR: WHITE/BLACK
- ◆ UNIT: mm

**NEW**



PART NO	PACKAGE
PCBTA-4.8	1000

