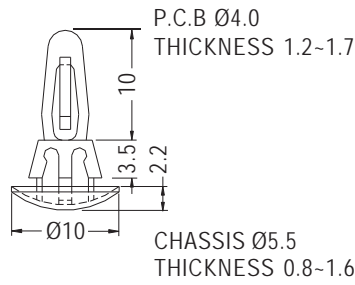
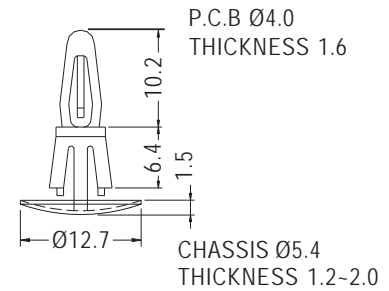


SPACER SUPPORT

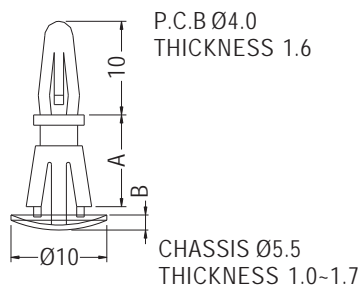
- ◆ MATERIAL: NYLON 66 (UL)
- ◆ FLAME CLASS: 94V-2/94V-0
- ◆ COLOR: NATURAL/BLACK
- ◆ UNIT: mm



PCBS-3	1000
--------	------



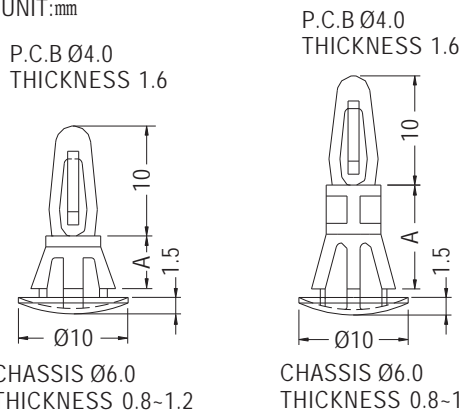
PCBS-6.4	1000
----------	------



PARTNO	A	B	PACKAGE
PCBS-6	6.3	1.6	1000
PCBS-8	7.9	2.1	
PCBS-10	10.0	1.6	
PCBS-12A	12.0	1.6	
PCBS-12	12.7	1.6	

SPACER SUPPORT

- ◆ MATERIAL: NYLON 66 (UL)
- ◆ FLAME CLASS: 94V-2/94V-0
- ◆ COLOR: NATURAL/BLACK
- ◆ UNIT: mm



FOR RCFL-4.8, RCFL-6.4

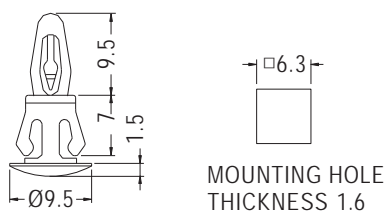
PARTNO	A	PACKAGE
RCFL-4.8	4.8	1000
RCFL-6.4	6.4	
RCFL-8	8.0	
RCFL-9.5	9.5	
RCFL-12.7	12.7	
RCFL-19	19.0	

SPACER SUPPORT

- ◆ MATERIAL: NYLON 66 (UL)
- ◆ FLAME CLASS: 94V-2/94V-0
- ◆ COLOR: NATURAL/BLACK
- ◆ UNIT: mm



P.C.B Ø4.0
THICKNESS 1.6



PARTNO	PACKAGE
RCFA-7	1000

