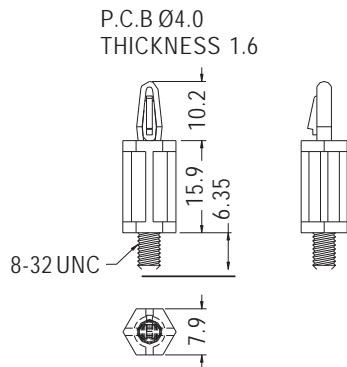


SPACER SUPPORT

NEW

- ◆ MATERIAL: NYLON 66 (UL)
- ◆ FLAME CLASS: 94V-2/94V-0
- ◆ COLOR: NATURAL/BLACK/WHITE
- ◆ UNIT: mm

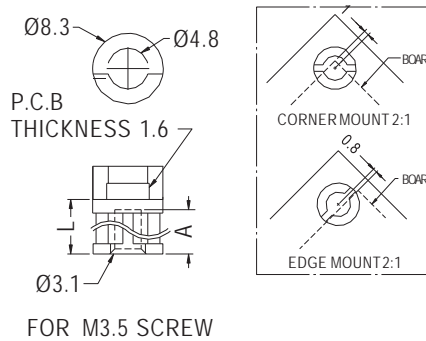
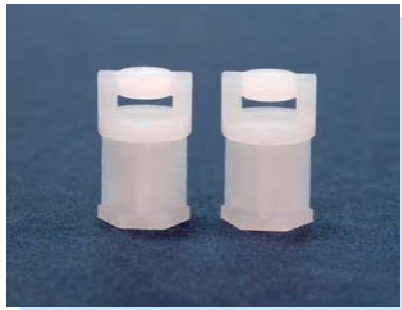


PART NO	PACKAGE
SCB832-15.9	1000

1

SPACER SUPPORT

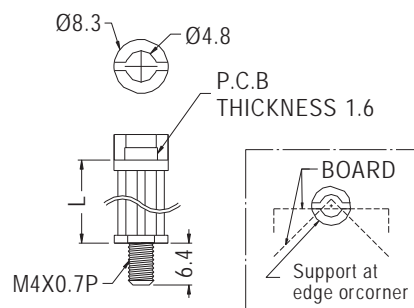
- ◆ MATERIAL: NYLON 66 (UL)
- ◆ FLAME CLASS: 94V-2/94V-0
- ◆ COLOR: NATURAL/BLACK
- ◆ UNIT: mm



PART NO	A	L	PACKAGE
TCEH-6.4	5.2	6.4	1000
TCEH-9.5	7.9	9.5	
TCEH-12.7	7.9	12.7	
TCEH-15.9	7.9	15.9	

SPACER SUPPORT

- ◆ MATERIAL: NYLON 66 (UL)
- ◆ FLAME CLASS: 94V-2/94V-0
- ◆ COLOR: NATURAL/BLACK
- ◆ UNIT: mm



PART NO	L	PACKAGE
TCEP4-6.4	6.4	1000
TCEP4-9.5	9.5	
TCEP4-12.7	12.7	
TCEP4-15.9	15.9	

