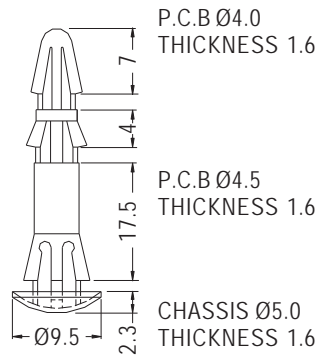


SPACER SUPPORT



- ◆ MATERIAL: NYLON 66 (UL)
- ◆ FLAME CLASS: 94V-2/94V-0
- ◆ COLOR: NATURAL/BLACK
- ◆ UNIT: mm

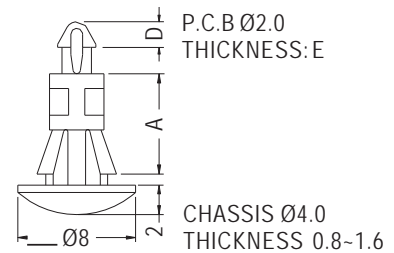
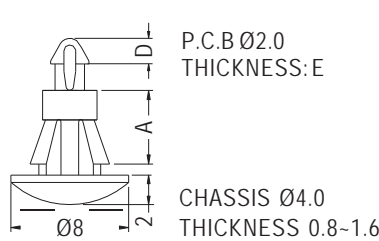


PART NO	PACKAGE
DRCB-18	1000



SPACERSUPPORT

- ◆ MATERIAL: NYLON 66 (UL)
- ◆ FLAME CLASS: 94V-2/94V-0
- ◆ COLOR: NATURAL/BLACK
- ◆ UNIT: mm



FOR RCAB-3-RCAB-5.5

PART NO	A	D	E	PACKAGE
RCAB-3	3.2	1.74	1.6	1000
RCAB-4.5	4.5			
★ RCAB-4.5S	4.5	1.75	1.0	
RCAB-5.5	5.5	1.74	1.6	
RCAB-6.4	6.4			
RCAB-7.5	7.5			
RCAB-9.5	9.5			
RCAB-11.1	11.1			
RCAB-12.7	12.7			

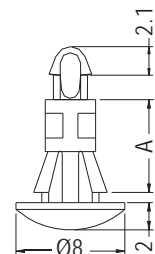
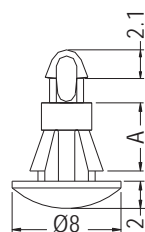
SPACERSUPPORT

- ◆ MATERIAL: NYLON 66 (UL)
- ◆ FLAME CLASS: 94V-2/94V-0
- ◆ COLOR: NATURAL/BLACK
- ◆ UNIT: mm



P.C.B Ø2.5 THICKNESS 1.6

P.C.B Ø2.5 THICKNESS 1.6



CHASSIS Ø4.0 THICKNESS 0.8-1.6

CHASSIS Ø4.0 THICKNESS 0.8-1.6

FOR RCAC-3-RCAC-5.5

PART NO	A	PACKAGE
RCAC-3	3.0	1000
RCAC-4.5	4.5	
RCAC-5.5	5.5	
RCAC-6.4	6.4	
RCAC-7.5	7.5	
RCAC-9.5	9.5	
RCAC-11.1	11.1	
RCAC-12.7	12.7	

