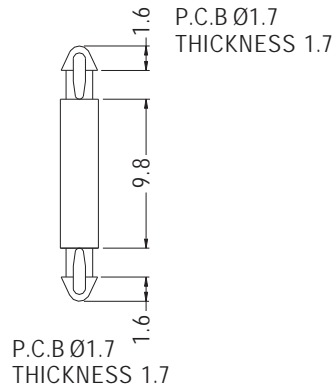


SPACER SUPPORT



- ◆ MATERIAL: NYLON 66 (UL)
- ◆ FLAME CLASS: 94V-2/94V-0
- ◆ COLOR: NATURAL/BLACK
- ◆ UNIT: mm

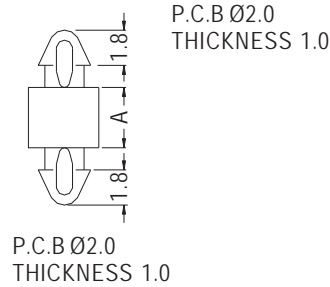


| PART NO | PACKAGE |
|------------|---------|
| MAD1.7-9.8 | 1000 |

SPACER SUPPORT



- ◆ MATERIAL: NYLON 66 (UL)
- ◆ FLAME CLASS: 94V-2/94V-0
- ◆ COLOR: NATURAL/BLACK
- ◆ UNIT: mm

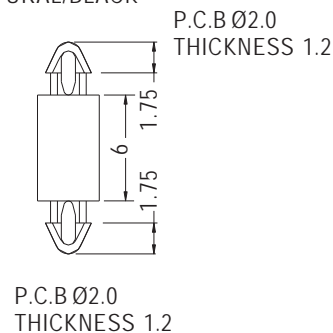


| PART NO | A | PACKAGE |
|---------|------|---------|
| MAD1-3 | 3.0 | 2000 |
| MAD1-19 | 19.0 | 1000 |

SPACER SUPPORT



- ◆ MATERIAL: NYLON 66 (UL)
- ◆ FLAME CLASS: 94V-2/94V-0
- ◆ COLOR: NATURAL/BLACK
- ◆ UNIT: mm

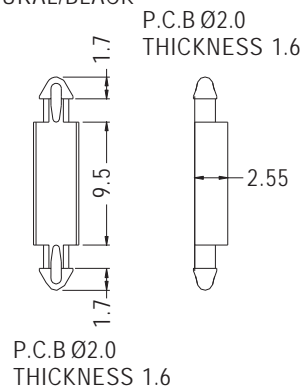


| PART NO | PACKAGE |
|----------|---------|
| MAD1.2-6 | 1000 |

SPACER SUPPORT



- ◆ MATERIAL: NYLON 66 (UL)
- ◆ FLAME CLASS: 94V-2/94V-0
- ◆ COLOR: NATURAL/BLACK
- ◆ UNIT: mm



| PART NO | PACKAGE |
|----------|---------|
| MADX-9.5 | 1000 |