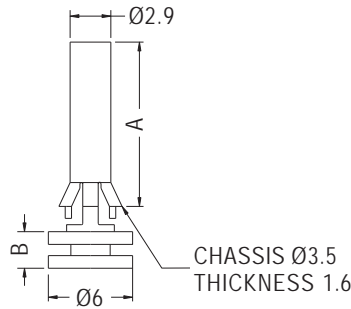


# SPACER SUPPORT



- ◆ MATERIAL: NYLON 66 (UL)
- ◆ FLAME CLASS: 94V-2/94V-0
- ◆ COLOR: NATURAL/BLACK
- ◆ UNIT: mm

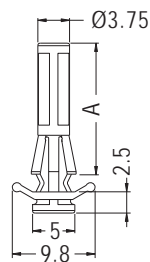
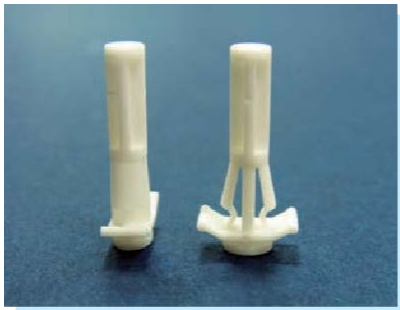


| PARTNO   | A    | B   | PACKAGE |     |
|----------|------|-----|---------|-----|
| EDC-4    | 4.0  | 2.5 | 1000    |     |
| EDC-5    | 5.0  |     |         |     |
| EDC-6    | 6.0  |     |         |     |
| EDC-7    | 7.0  |     |         |     |
| EDC-8    | 8.0  |     |         |     |
| EDC-9    | 9.0  |     |         |     |
| EDC-10   | 10.0 |     |         |     |
| EDC-11.4 | 11.4 |     |         |     |
| EDC-12.7 | 12.7 |     |         |     |
| EDC-13.5 | 13.5 |     |         |     |
| EDC-14.5 | 14.5 |     |         |     |
| EDC-15   | 15.0 |     |         |     |
| EDC-15-4 | 15.0 |     |         | 4.0 |
| EDC-15.9 | 15.9 |     |         | 2.5 |

1

# SPACER SUPPORT

- ◆ MATERIAL: NYLON 66 (UL)
- ◆ FLAME CLASS: 94V-2/94V-0
- ◆ COLOR: NATURAL/BLACK
- ◆ UNIT: mm

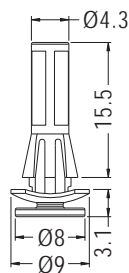


HOLE Ø4.0  
THICKNESS 1.2-1.6

| PART NO   | A    | PACKAGE |
|-----------|------|---------|
| RAMC-12.5 | 12.5 | 1000    |
| RAMC-15.5 | 15.5 |         |
| RAMC-19   | 19.0 |         |
| RAMC-24   | 24.0 |         |

# SPACER SUPPORT

- ◆ MATERIAL: NYLON 66 (UL)
- ◆ FLAME CLASS: 94V-2/94V-0
- ◆ COLOR: NATURAL/BLACK
- ◆ UNIT: mm



HOLE Ø4.8  
THICKNESS 1.6

| PARTNO    | PACKAGE |
|-----------|---------|
| RAMD-15.5 | 1000    |

