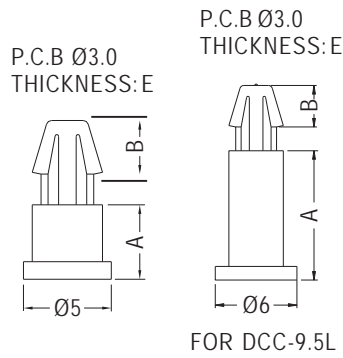


SPACER SUPPORT



- ◆ MATERIAL: NYLON 66 (UL)
- ◆ FLAME CLASS: 94V-2/94V-0
- ◆ COLOR: NATURAL/BLACK
- ◆ UNIT: mm



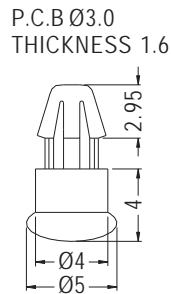
| PARTNO | A | B | E | PACKAGE |
|------------|-----|------|---------|---------|
| DCC-2 | 2.0 | 3.05 | 1.2~1.6 | 2000 |
| DCC-2.5 | 2.5 | 3.05 | 1.2~1.6 | |
| DCC-2.7 | 2.7 | 3.05 | 1.2~1.6 | |
| DCC-3 | 3.0 | 3.05 | 1.2~1.6 | |
| DCC-3.2 | 3.2 | 3.05 | 1.2~1.6 | 1000 |
| DCC-3.5 | 3.5 | 3.05 | 1.2~1.6 | |
| DCC-4 | 4.0 | 3.05 | 1.2~1.6 | |
| DCC-4.5 | 4.5 | 3.05 | 1.2~1.6 | |
| DCC-5 | 5.0 | 3.05 | 1.2~1.6 | |
| DCC-5S | 5.0 | 2.6 | 0.8~1.2 | |
| DCC-5.5 | 5.5 | 3.05 | 1.2~1.6 | |
| DCC-6 | 6.0 | 3.05 | 1.2~1.6 | |
| DCC-6.2 | 6.2 | 3.05 | 1.2~1.6 | |
| DCC-6.5 | 6.5 | 3.05 | 1.2~1.6 | |
| ★ DCC-9.5L | 9.5 | 3.05 | 1.2~1.6 | |

1

SPACER SUPPORT



- ◆ MATERIAL: NYLON 66 (UL)
- ◆ FLAME CLASS: 94V-2/94V-0
- ◆ COLOR: NATURAL/BLACK
- ◆ UNIT: mm

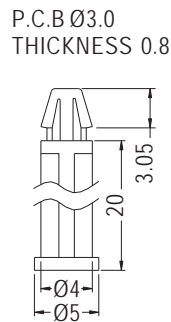


| PARTNO | PACKAGE |
|--------|---------|
| DCE-4 | 1000 |

SPACER SUPPORT



- ◆ MATERIAL: NYLON 66 (UL)
- ◆ FLAME CLASS: 94V-2/94V-0
- ◆ COLOR: NATURAL/BLACK
- ◆ UNIT: mm

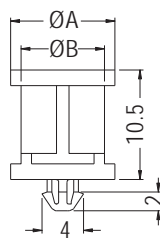


| PARTNO | PACKAGE |
|---------|---------|
| DCC-20S | 1000 |

SPACER SUPPORT



- ◆ MATERIAL: NYLON 66 (UL)
- ◆ FLAME CLASS: 94V-2/94V-0
- ◆ COLOR: NATURAL/BLACK
- ◆ UNIT: mm



HOLE Ø3.0
THICKNESS 1.0

| PARTNO | A | B | PACKAGE |
|------------|------|-----|---------|
| TCBA-10.5 | 10.0 | 8.0 | 1000 |
| TCBA-10.5S | 7.5 | 6.0 | |

