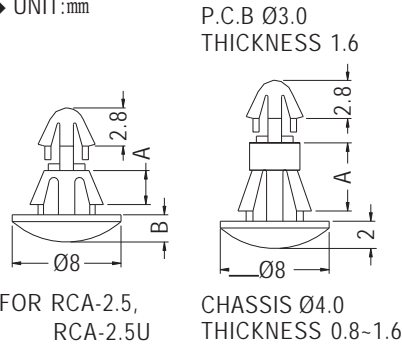


# SPACER SUPPORT

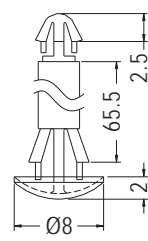
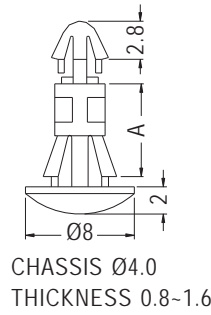


- ◆ MATERIAL: NYLON 66 (UL)
- ◆ FLAME CLASS: 94V-2/94V-0
- ◆ COLOR: NATURAL/BLACK
- ◆ UNIT: mm



P.C.B Ø3.0  
THICKNESS 1.6

P.C.B Ø3.0  
THICKNESS 1.6



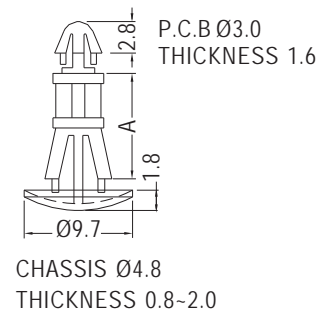
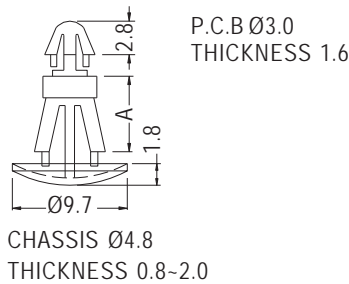
| PART NO  | A   | B   | PACKAGE |
|----------|-----|-----|---------|
| RCA-2.5U | 2.5 | 1.8 | 2000    |
| RCA-2.5  | 2.5 | 2.0 |         |
| RCA-3    | 3.2 | 2.0 |         |
| RCA-4    | 4.0 | 2.0 |         |
| RCA-4.5  | 4.5 | 2.0 |         |
| RCA-5    | 5.0 | 2.0 |         |
| RCA-5.5  | 5.5 | 2.0 |         |

| PART NO  | A    | PACKAGE |
|----------|------|---------|
| RCA-6    | 6.0  | 2000    |
| RCA-6.4  | 6.4  |         |
| RCA-7    | 7.0  | 1000    |
| RCA-7.5  | 7.5  |         |
| RCA-8    | 8.0  |         |
| RCA-9    | 9.0  |         |
| RCA-9.5  | 9.5  |         |
| RCA-10   | 10.0 |         |
| RCA-11.1 | 11.1 |         |
| RCA-12   | 12.0 |         |
| RCA-12.7 | 12.7 |         |
| RCA-14   | 14.0 |         |
| RCA-16   | 16.0 |         |
| RCA-65.5 | 65.5 |         |

# SPACER SUPPORT



- ◆ MATERIAL: NYLON 66 (UL)
- ◆ FLAME CLASS: 94V-2/94V-0
- ◆ COLOR: NATURAL/BLACK
- ◆ UNIT: mm



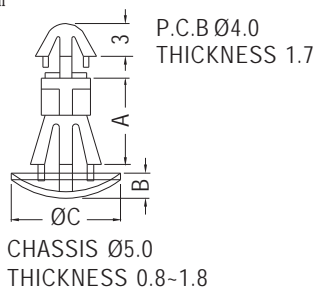
| PART NO | A   | PACKAGE |
|---------|-----|---------|
| RCC-5   | 5.0 | 2000    |
| RCC-6   | 6.3 |         |

| PART NO | A    | PACKAGE |
|---------|------|---------|
| RCC-8   | 8.0  | 1000    |
| RCC-10  | 10.0 |         |
| RCC-12  | 12.7 |         |

# SPACER SUPPORT



- ◆ MATERIAL: NYLON 66 (UL)
- ◆ FLAME CLASS: 94V-2/94V-0
- ◆ COLOR: NATURAL/BLACK
- ◆ UNIT: mm



| PART NO  | A    | B   | C    | PACKAGE |
|----------|------|-----|------|---------|
| RCS-6    | 6.0  | 2.3 | 9.7  | 1000    |
| RCS-13.8 | 13.8 | 2.2 | 10.0 |         |
| RCS-16   | 16.0 | 2.3 | 9.7  |         |

