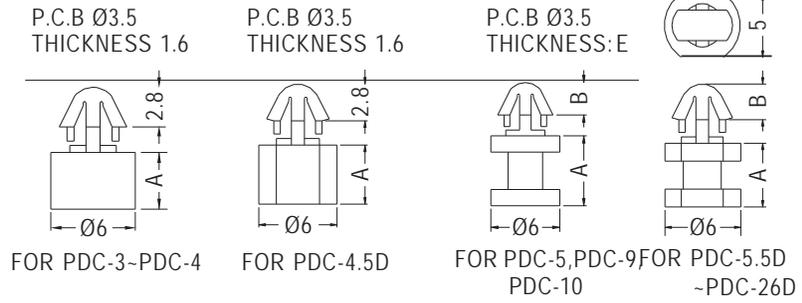


# SPACER SUPPORT



- ◆ MATERIAL: NYLON 66 (UL)
- ◆ FLAME CLASS: 94V-2/94V-0
- ◆ COLOR: NATURAL/BLACK
- ◆ UNIT: mm

P.C.B Ø3.5  
THICKNESS: E



PART NO	A	PACKAGE
PDC-3	3.0	2000
PDC-3.5	3.5	
PDC-4	4.0	
PDC-4.5D	4.5	

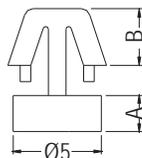
PART NO	A	B	E	PACKAGE
PDC-5	5.0	2.8	1.6	2000
PDC-5.5D	5.5	2.8	1.6	
PDC-6D	6.0	2.8	1.6	
PDC-6.5D	6.5	2.8	1.6	
PDC-7D	7.0	2.8	1.6	
PDC-9	9.0	2.8	1.6	
PDC-10	10.0	2.6	1.8	
PDC-13D	13.0	2.8	1.2-1.7	
PDC-13.5D	13.5	2.8	1.6	
PDC-26D	26.0	2.8	1.6	

# SPACER SUPPORT



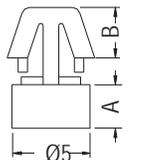
- ◆ MATERIAL: NYLON 66 (UL)
- ◆ FLAME CLASS: 94V-2/94V-0
- ◆ COLOR: NATURAL/BLACK
- ◆ UNIT: mm

P.C.B Ø4.0  
THICKNESS: E



FOR MC-2-MC-2.5

P.C.B Ø4.0  
THICKNESS: E

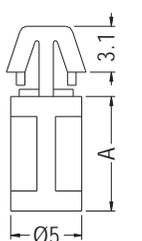


FOR MC-3-MC-5

PART NO	A	B	E	PACKAGE
MC-2	2.0	3.1	1.2-1.7	2000
MC-2-1.2	2.0	3.5	0.8-1.0	
MC-2.5	2.5	3.65	1.2-1.7	1000
MC-3	3.0	3.1	1.6	2000
MC-3.2	3.2	3.1	1.6	
MC-3.5	3.5	3.1	1.6	
MC-4	4.0	3.1	1.6	
MC-5	5.0	3.1	1.6	



P.C.B Ø4.0  
THICKNESS 1.6



PART NO	A	PACKAGE
MC-6	6.3	2000
MC-7	7.0	
MC-7.5	7.5	
MC-8	8.0	
MC-8.5	8.5	
MC-9	9.0	
MC-10	10.0	
MC-11.5	11.5	1000
MC-12	12.7	
MC-16.4	16.4	

