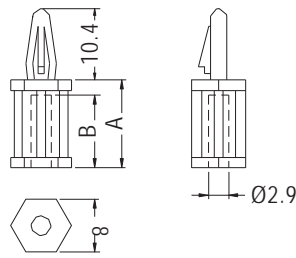


# SPACER SUPPORT

- ◆ MATERIAL: NYLON 66 (UL)
- ◆ FLAME CLASS: 94V-2/94V-0
- ◆ COLOR: NATURAL/BLACK
- ◆ UNIT: mm



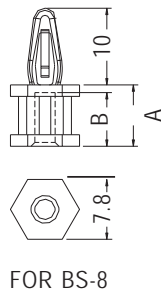
P.C.B Ø4.0  
THICKNESS 1.2-1.7



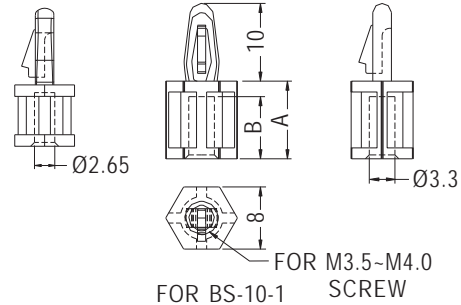
PART NO	A	B	PACKAGE
BS-6	6.4	4.8	1000
★ BS-8	8.0	7.0	
BS-9	9.5	8.0	
BS-10-1	10.0	8.0	
BS-12	12.7	11.0	
BS-14	14.0	12.7	
BS-15S	15.0	13.0	
BS-15	15.9	13.0	
BS-19	19.1	16.2	
BS-20-1	20.0	12.0	
BS-22	22.2	19.4	
BS-25	25.4	24.0	
BS-28	28.6	25.9	
BS-29	29.0	25.9	



P.C.B Ø4.0  
THICKNESS 2.0



P.C.B Ø4.0  
THICKNESS 2.0

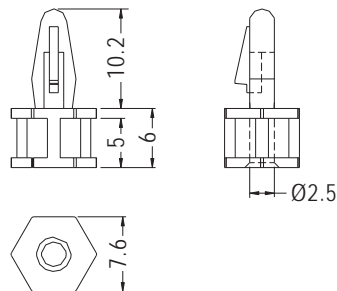


# SPACER SUPPORT

- ◆ MATERIAL: NYLON 66 (UL)
- ◆ FLAME CLASS: 94V-2/94V-0
- ◆ COLOR: NATURAL/BLACK
- ◆ UNIT: mm



P.C.B Ø4.0  
THICKNESS 1.2-1.7



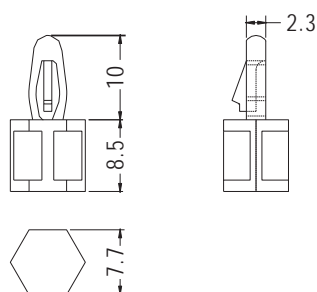
PART NO	PACKAGE
BSB-6	1000

# SPACER SUPPORT

- ◆ MATERIAL: NYLON 66 (UL)
- ◆ FLAME CLASS: 94V-2/94V-0
- ◆ COLOR: NATURAL/BLACK
- ◆ UNIT: mm



P.C.B Ø4.2  
THICKNESS 1.6



PART NO	PACKAGE
BSB-8.5	1000

