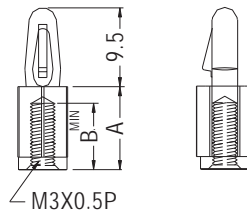


SPACER SUPPORT



- ◆ MATERIAL: NYLON 66 (UL)
- ◆ FLAME CLASS: 94V-2/94V-0
- ◆ COLOR: NATURAL/BLACK
- ◆ UNIT: mm

P.C.B Ø4.0
 THICKNESS 1.6



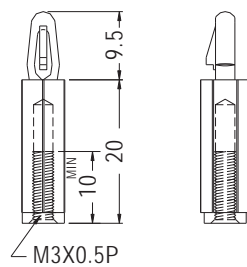
PART NO	A	B	PACKAGE
BSCB-10	10.0	8.0	1000
★ BSCB-12	12.0	8.0	
BSCB-15	15.0	10.0	

SPACER SUPPORT



- ◆ MATERIAL: NYLON 66 (UL)
- ◆ FLAME CLASS: 94V-2/94V-0
- ◆ COLOR: NATURAL/BLACK
- ◆ UNIT: mm

P.C.B Ø4.0
 THICKNESS 1.8



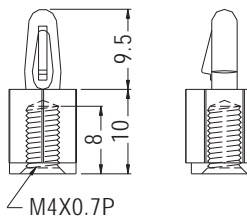
PART NO	PACKAGE
BSCB-20	1000

SPACER SUPPORT



- ◆ MATERIAL: NYLON 66 (UL)
- ◆ FLAME CLASS: 94V-2/94V-0
- ◆ COLOR: NATURAL/BLACK
- ◆ UNIT: mm

HOLE Ø4.0
 THICKNESS 1.6



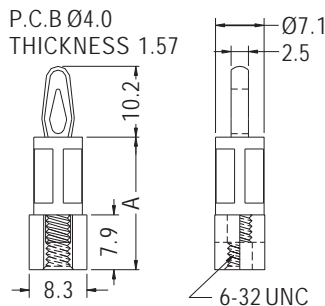
PART NO	PACKAGE
BSCB4-10	1000

SPACER SUPPORT



- ◆ MATERIAL: NYLON 66 (UL)
- ◆ FLAME CLASS: 94V-2/94V-0
- ◆ COLOR: NATURAL/BLACK
- ◆ UNIT: mm

P.C.B Ø4.0
 THICKNESS 1.57



PART NO	A	PACKAGE
BSC632-9.5	9.5	1000
BSC632-12.7	12.7	
BSC632-15.9	15.9	
BSC632-19.1	19.1	
BSC632-22.2	22.2	
BSC632-25.4	25.4	