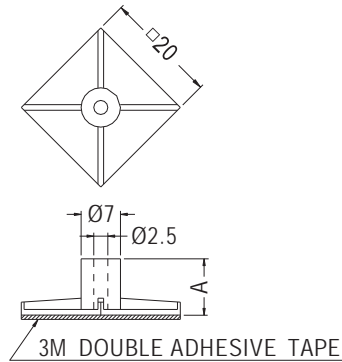
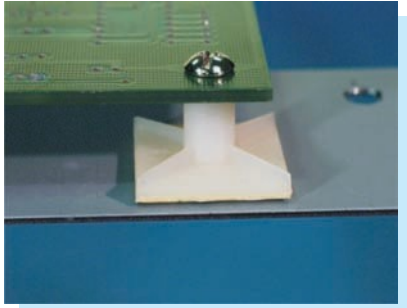


SPACER SUPPORT

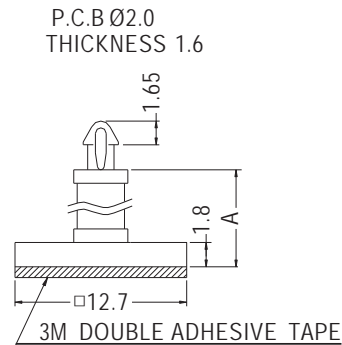
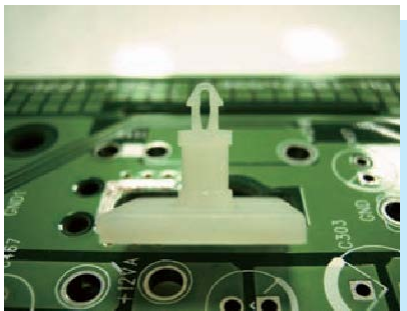
- ◆ MATERIAL: NYLON 66 (UL)
- ◆ FLAME CLASS: 94V-2/94V-0
- ◆ COLOR: NATURAL/BLACK
- ◆ UNIT: mm



PART NO	A	PACKAGE
ASR-5	4.2	500
ASR-6	5.6	
ASR-7	6.2	
ASR-8	7.2	
ASR-9	8.2	
ASR-11	10.0	
ASR-12.7	11.9	
ASR-14.5	13.6	
ASR-15.9	15.1	
ASR-17.5	16.3	
ASR-19.1	18.3	

SPACER SUPPORT

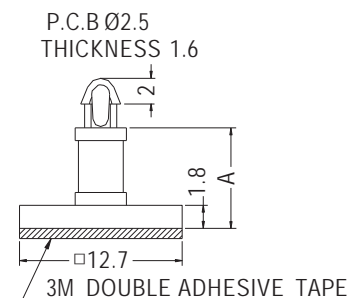
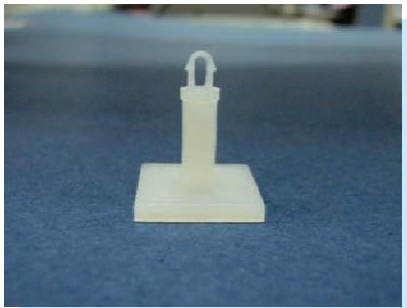
- ◆ MATERIAL: NYLON 66 (UL)
- ◆ FLAME CLASS: 94V-2/94V-0
- ◆ COLOR: NATURAL/BLACK
- ◆ UNIT: mm



PART NO	A	PACKAGE
ISS-4.8	4.0	1000
ISS-6.4	5.6	
ISS-8	7.2	
ISS-9.5	8.7	
ISS-11.1	10.3	
ISS-12.7	11.9	
ISS-15.9	15.1	
ISS-19.1	18.3	

SPACER SUPPORT

- ◆ MATERIAL: NYLON 66 (UL)
- ◆ FLAME CLASS: 94V-2/94V-0
- ◆ COLOR: NATURAL/BLACK
- ◆ UNIT: mm



PART NO	A	PACKAGE
GSS-4.8	4.0	1000
GSS-6.4	5.6	
GSS-8	7.2	
GSS-9.5	8.7	
GSS-11.1	10.3	
GSS-12.7	11.9	
GSS-14.3	13.5	
GSS-15.9	15.1	
GSS-19.1	18.3	