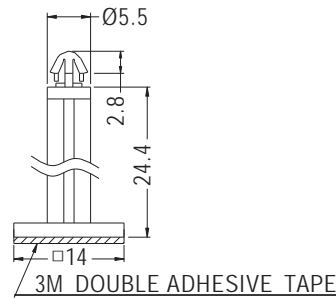


SPACER SUPPORT

- ◆ MATERIAL: NYLON 66 (UL)
- ◆ FLAME CLASS: 94V-2/94V-0
- ◆ COLOR: NATURAL/BLACK
- ◆ UNIT: mm



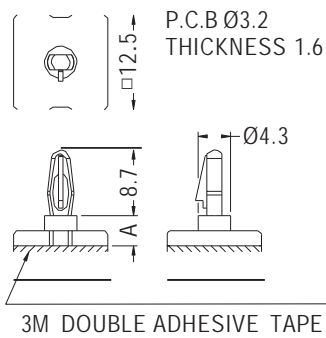
P.C.B Ø3.5
THICKNESS 1.2-1.6



PART NO	PACKAGE
FSL-25	1000

SPACER SUPPORT

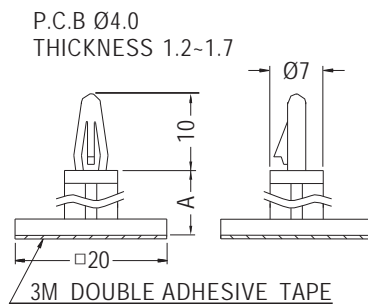
- ◆ MATERIAL: NYLON 66 (UL)
- ◆ FLAME CLASS: 94V-2/94V-0
- ◆ COLOR: NATURAL/BLACK
- ◆ UNIT: mm



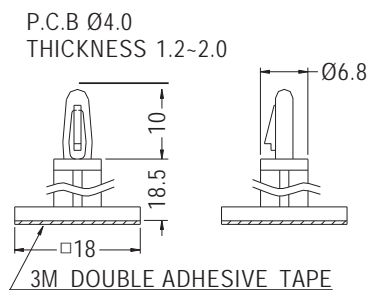
PART NO	A	PACKAGE
JSS-4.8	4.0	500
JSS-6.4	5.6	
JSS-7.9	6.8	
JSS-8.4	7.5	
JSS-9.5	8.5	
JSS-11	10.6	
JSS-12.7	11.7	
JSS-15.9	15.0	

SPACER SUPPORT

- ◆ MATERIAL: NYLON 66 (UL)
- ◆ FLAME CLASS: 94V-2/94V-0
- ◆ COLOR: NATURAL/BLACK
- ◆ UNIT: mm



PART NO	A	PACKAGE
ASS-5	4.6	500
ASS-6	5.5	
ASS-8	7.2	
ASS-10	9.0	
ASS-12	12.0	
ASS-15	15.4	



PART NO	PACKAGE
ASS-18.5	500

