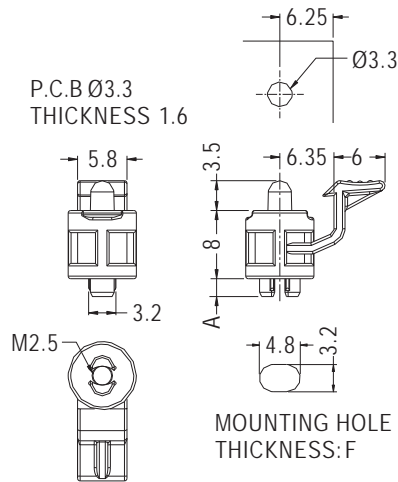
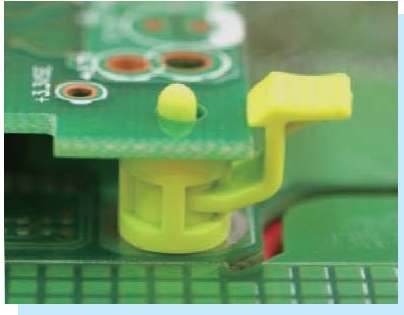


SPACER SUPPORT

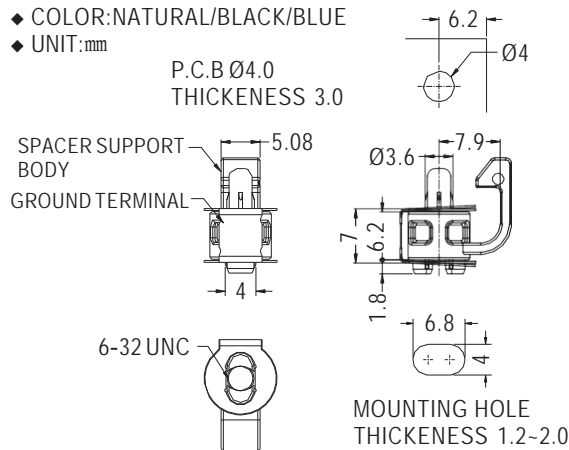
- ◆ MATERIAL: NYLON 66 (UL)
- ◆ FLAME CLASS: 94V-2/94V-0
- ◆ COLOR: NATURAL/BLACK/GREEN
- ◆ UNIT: mm



PART NO	A	F	PACKAGE
ULCH-2	2.1	2.16	1000
ULCH-2S	1.5	1.6	

SPACER SUPPORT

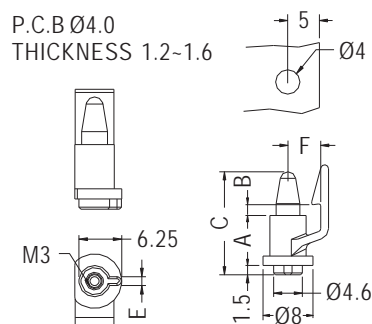
- ◆ MATERIAL: NYLON 66 (UL)
- ◆ GROUND TERMINAL MATERIAL: SPTe
- ◆ FLAME CLASS: 94V-2/94V-0
- ◆ COLOR: NATURAL/BLACK/BLUE
- ◆ UNIT: mm



PART NO	PACKAGE
ULCH-1	1000

SPACER SUPPORT

- ◆ MATERIAL: NYLON 66 (UL)
- ◆ FLAME CLASS: 94V-2/94V-0
- ◆ COLOR: NATURAL/BLACK
- ◆ UNIT: mm



PART NO	A	B	C	E	F	PACKAGE
ULCC-6	6.3	1.73	14.8	1.3	5.25	500
ULCC-8	8.0	1.7	16.5			
ULCC-10	10.0	2.24	19.0	1.4		
ULCC-12	12.0	1.75	19.8			
ULCC-19	18.55	1.9	27.05	1.3		

