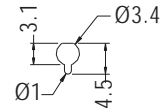
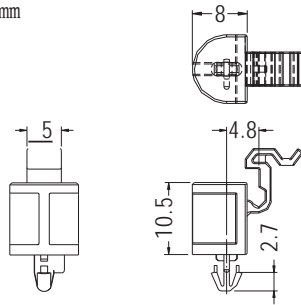


SPACER SUPPORT



- ◆ MATERIAL: NYLON 66 (UL)
- ◆ FLAME CLASS: 94V-2/94V-0
- ◆ COLOR: NATURAL/BLACK/BLUE
- ◆ UNIT: mm



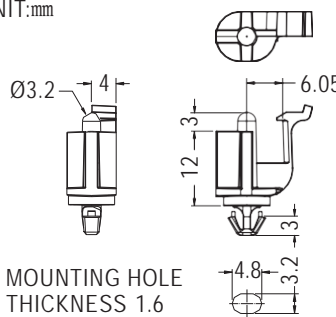
MOUNTING HOLE
CHASSIS THICKNESS 2.4

PART NO	PACKAGE
LCUA-11	1000

SPACER SUPPORT

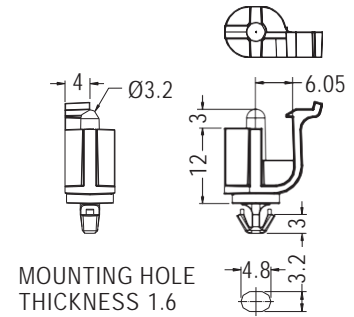


- ◆ MATERIAL: NYLON 66 (UL)
- ◆ FLAME CLASS: 94V-2/94V-0
- ◆ COLOR: NATURAL/BLACK/GREEN
- ◆ UNIT: mm



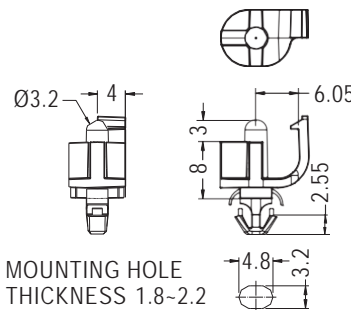
MOUNTING HOLE
THICKNESS 1.6

PART NO	PACKAGE
LCUAC-8L	1000



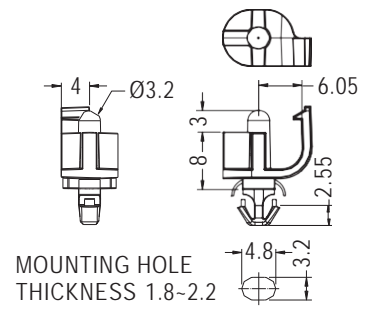
MOUNTING HOLE
THICKNESS 1.6

PART NO	PACKAGE
LCUAC-8R	1000



MOUNTING HOLE
THICKNESS 1.8-2.2

PART NO	PACKAGE
LCUAC-9L	1000



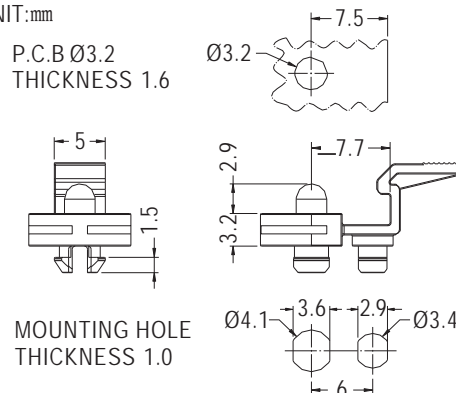
MOUNTING HOLE
THICKNESS 1.8-2.2

PART NO	PACKAGE
LCUAC-9R	1000

SPACER SUPPORT



- ◆ MATERIAL: NYLON 66 (UL)
- ◆ FLAME CLASS: 94V-2/94V-0
- ◆ COLOR: NATURAL/BLACK/GREEN
- ◆ UNIT: mm



P.C.B Ø3.2
THICKNESS 1.6

MOUNTING HOLE
THICKNESS 1.0

PART NO	PACKAGE
LCUAD-1	1000

