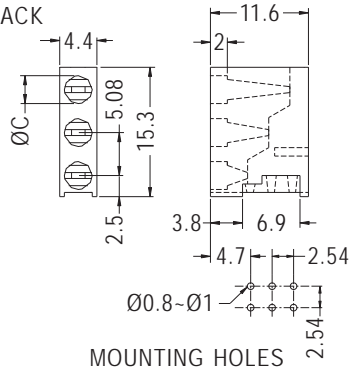


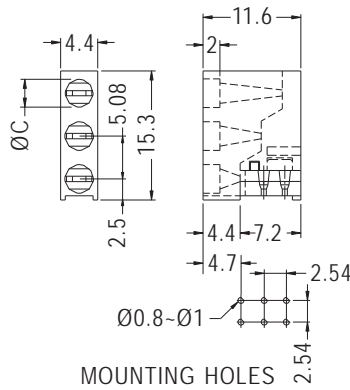
# 90° LED HOLDER



- ◆ MATERIAL: NYLON 66 (UL)
- ◆ FLAME CLASS: 94V-2/94V-0
- ◆ COLOR: BLACK
- ◆ UNIT: mm



PART NO	C	PACKAGE
LH-330	3.3	1000

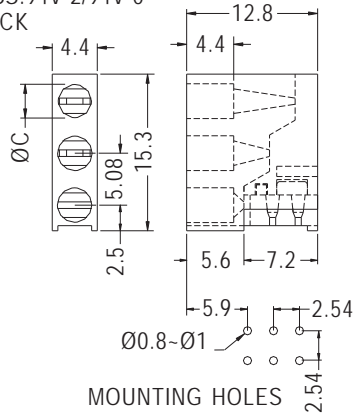


PART NO	C	PACKAGE
KLH-330	3.3	1000

# 90° LED HOLDER

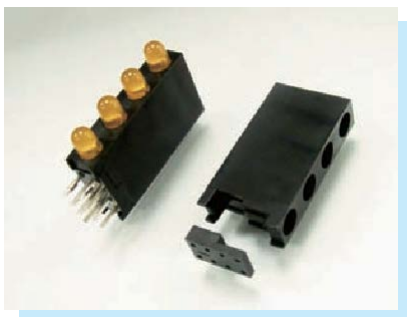


- ◆ MATERIAL: NYLON 66 (UL)
- ◆ FLAME CLASS: 94V-2/94V-0
- ◆ COLOR: BLACK
- ◆ UNIT: mm

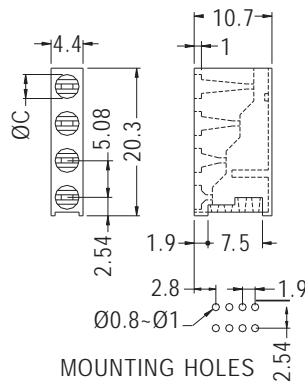


PART NO	C	PACKAGE
KLH-331	3.3	1000

# 90° LED HOLDER



- ◆ MATERIAL: NYLON 66 (UL)
- ◆ FLAME CLASS: 94V-2/94V-0
- ◆ COLOR: BLACK
- ◆ UNIT: mm



PART NO	C	PACKAGE
LH-340	3.3	1000