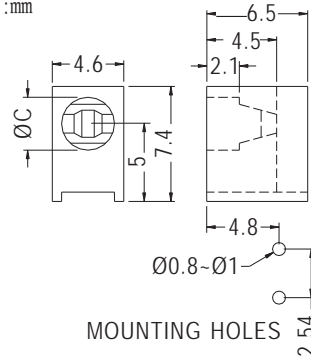


90° LEDHOLDER



- ◆ MATERIAL:NYLON 66 (UL)
- ◆ FLAME CLASS:94V-2/94V-0
- ◆ COLOR:BLACK
- ◆ UNIT:mm

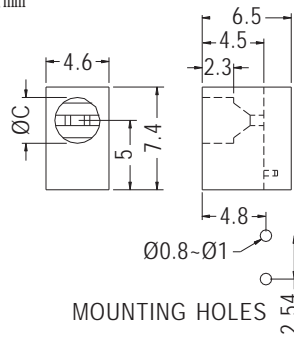


PART NO	C	PACKAGE
LED-301	3.4	2000

90° LEDHOLDER



- ◆ MATERIAL:NYLON 66 (UL)
- ◆ FLAME CLASS:94V-2/94V-0
- ◆ COLOR:BLACK
- ◆ UNIT:mm

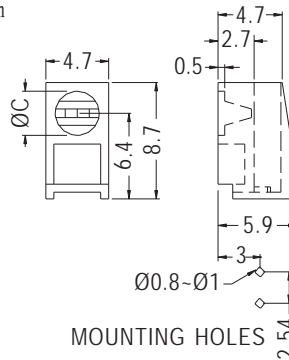


PART NO	C	PACKAGE
LED-301A	3.4	2000
LED-301(B)	3.3	

90° LEDHOLDER



- ◆ MATERIAL:NYLON 66 (UL)
- ◆ FLAME CLASS:94V-2/94V-0
- ◆ COLOR:BLACK
- ◆ UNIT:mm

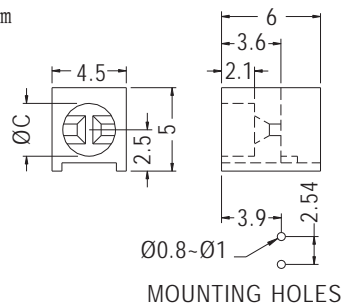


PART NO	C	PACKAGE
LED-312	3.3	2000

90° LEDHOLDER



- ◆ MATERIAL:NYLON 66 (UL)
- ◆ FLAME CLASS:94V-2/94V-0
- ◆ COLOR:BLACK
- ◆ UNIT:mm



PART NO	C	PACKAGE
LED-313	3.2	2000