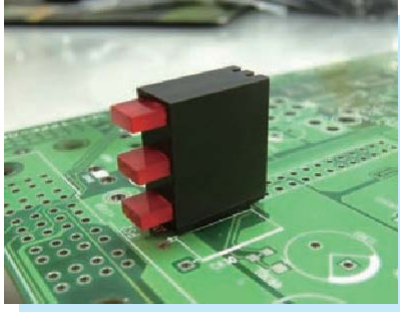
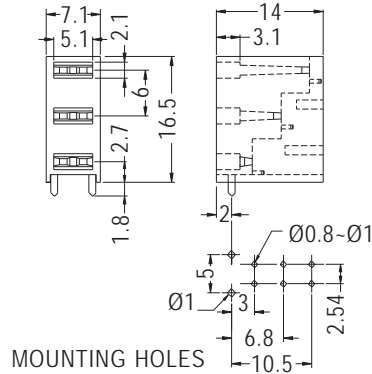


90° LEDHOLDER



- ◆ MATERIAL:NYLON 66 (UL)
- ◆ FLAME CLASS:94V-2/94V-0
- ◆ COLOR:BLACK
- ◆ UNIT:mm

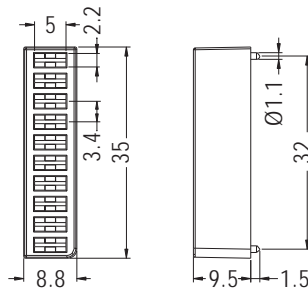


PART NO	PACKAGE
LEK-315	1000

LED HOLDER

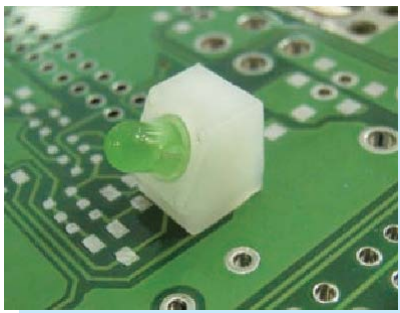


- ◆ MATERIAL:NYLON 66 (UL)
- ◆ FLAME CLASS:94V-2/94V-0
- ◆ COLOR:BLACK
- ◆ UNIT:mm

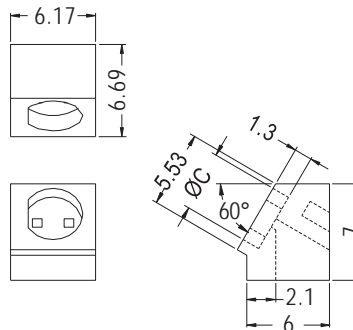


PART NO	PACKAGE
LED101	500

90° LEDHOLDER

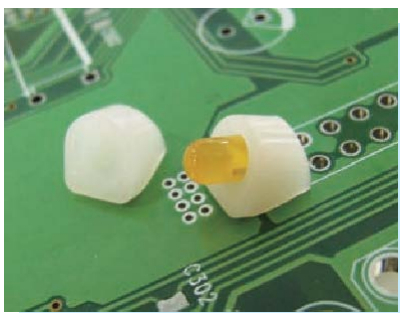


- ◆ MATERIAL:NYLON 66 (UL)
- ◆ FLAME CLASS:94V-2/94V-0
- ◆ COLOR:NATURAL/BLACK
- ◆ UNIT:mm

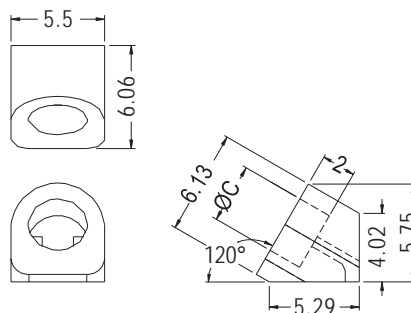


PART NO	C	PACKAGE
LEDA-4	4.3	1000

90° LEDHOLDER



- ◆ MATERIAL:NYLON 66 (UL)
- ◆ FLAME CLASS:94V-2/94V-0
- ◆ COLOR:NATURAL/BLACK
- ◆ UNIT:mm



PART NO	C	PACKAGE
LEDA-5	3.5	1000