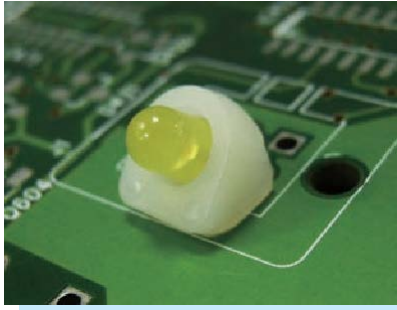
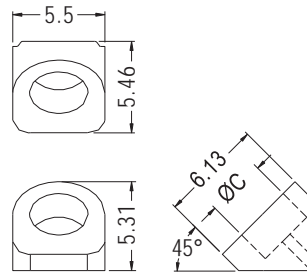


## 90° LEDHOLDER

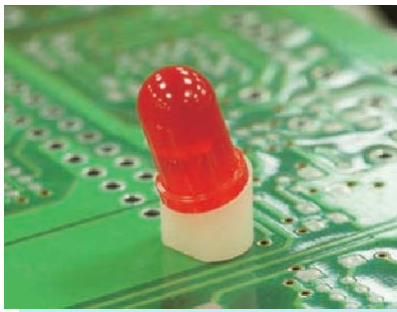


- ◆ MATERIAL: NYLON 66 (UL)
- ◆ FLAME CLASS: 94V-2/94V-0
- ◆ COLOR: NATURAL/BLACK
- ◆ UNIT: mm

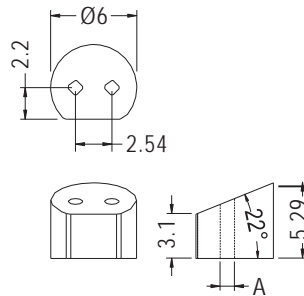


PART NO	C	PACKAGE
LEDA-6	3.5	1000

## 90° LEDHOLDER



- ◆ MATERIAL: NYLON 66 (UL)/ABS (UL)
- ◆ FLAME CLASS: 94HB/94V-2/94V-0
- ◆ COLOR: NATURAL/BLACK
- ◆ UNIT: mm

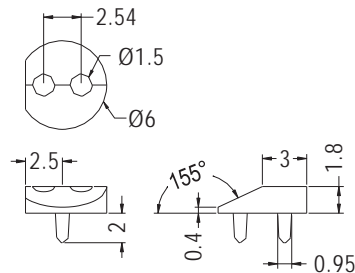


PART NO	A	PACKAGE
LEDA-2S	0.9	1000
LEDA-2	1.0	

## 90° LEDHOLDER



- ◆ MATERIAL: ABS (UL)
- ◆ FLAME CLASS: 94HB
- ◆ COLOR: BLACK
- ◆ UNIT: mm

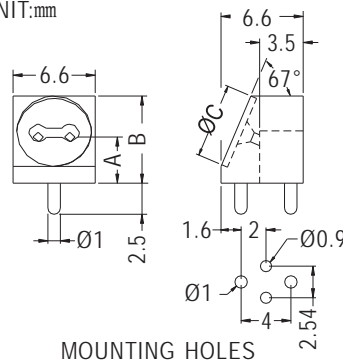


PART NO	PACKAGE
LEK-530	1000

## 90° LEDHOLDER



- ◆ MATERIAL: NYLON 66 (UL)
- ◆ FLAME CLASS: 94V-2/94V-0
- ◆ COLOR: NATURAL/BLACK
- ◆ UNIT: mm



PART NO	A	B	C	PACKAGE
LEK-509	3.0	7.0	6.0	1000
LEK-531	7.0	10.3	6.0	