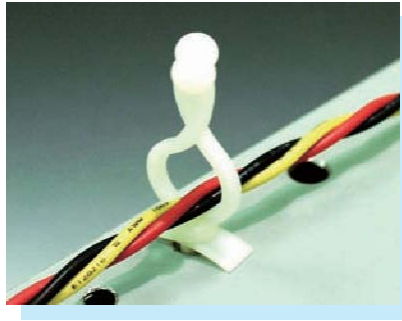
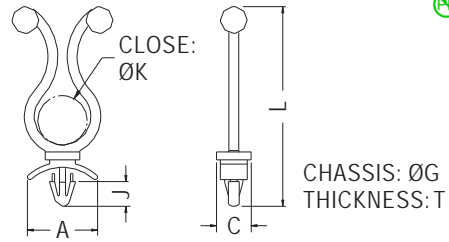


# HARNESS CLIP STANDOFF

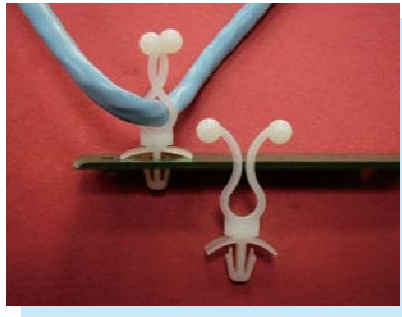


- ◆ MATERIAL: NYLON 66 (UL)
- ◆ FLAME CLASS: 94V-2/94V-0
- ◆ COLOR: NATURAL/BLACK
- ◆ UNIT: mm

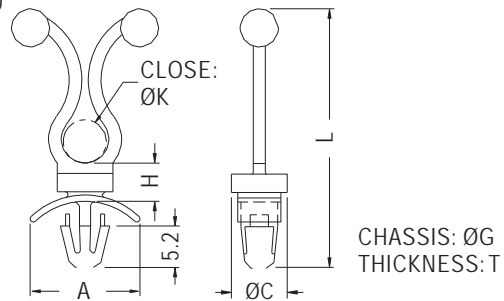


PARTNO	A	C	G	J	K	L	T	PACKAGE
THI-4	14.2	7.0	4.0	5.0	10.0	40.4	0.8-2.0	500

# HARNESS CLIP STANDOFF



- ◆ MATERIAL: NYLON 66 (UL)
- ◆ FLAME CLASS: 94V-2/94V-0
- ◆ COLOR: NATURAL/BLACK
- ◆ UNIT: mm

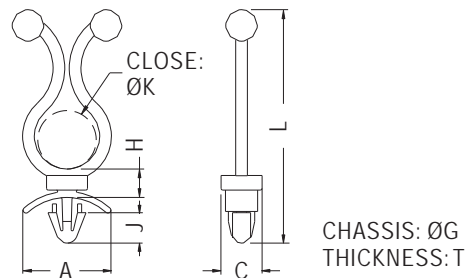


PARTNO	A	C	G	H	K	L	T	PACKAGE
THL-4.8	13.8	7.0	4.8	4.8	5.2	32.5	0.8-2.0	1000

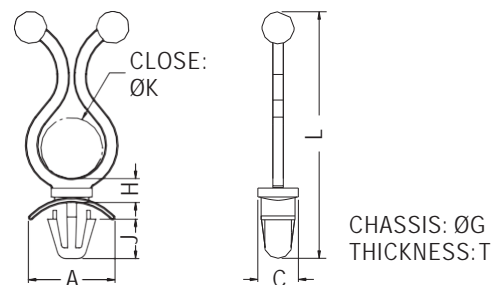
# HARNESS CLIP STANDOFF



- ◆ MATERIAL: NYLON 66 (UL)
- ◆ FLAME CLASS: 94V-2/94V-0
- ◆ COLOR: NATURAL/BLACK
- ◆ UNIT: mm



PARTNO	A	C	G	H	J	K	L	T	PACKAGE
THD-1	15.0	7.0	4.8-5.0	4.9	5.2	9.8	40.2	0.8-2.0	500
THD-2	15.0	7.0	4.8-5.0	4.9	5.2	17.1	49.4	0.8-2.0	
THD-4	15.0	7.0	4.8-5.0	4.85	3.6	17.5	47.6	0.8-2.0	



PARTNO	A	C	G	H	J	K	L	T	PACKAGE
THD-3	15.9	6.8	6.0	4.0	6.6	10.2-12.7	41.4	0.78-2.0	500

