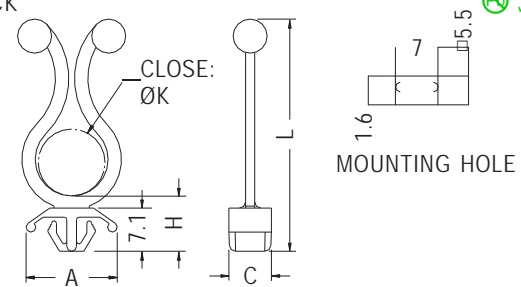


# HARNESS CLIP STANDOFF



- ◆ MATERIAL: NYLON 66 (UL)
- ◆ FLAME CLASS: 94V-2/94V-0
- ◆ COLOR: NATURAL/BLACK
- ◆ UNIT: mm

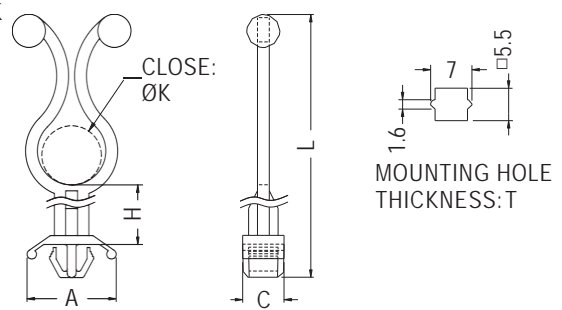


PART NO	A	C	H	K	L	PACKAGE
THG-12	15.0	7.0	3.5	11.0	38.3	500

# HARNESS CLIP STANDOFF



- ◆ MATERIAL: NYLON 66 (UL)
- ◆ FLAME CLASS: 94V-2/94V-0
- ◆ COLOR: NATURAL/BLACK
- ◆ UNIT: mm

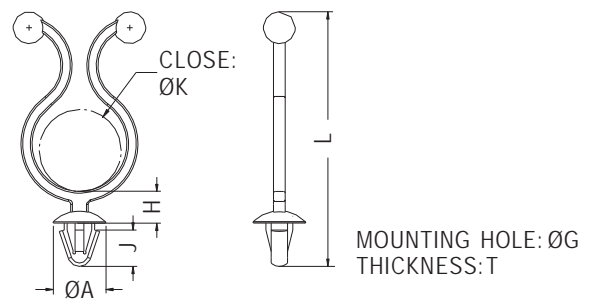


PART NO	A	C	H	K	L	T	PACKAGE
THG-13	15.0	7.0	47.0	10.0	81.45	0.8~1.6	500
THG-14			6.0	18.0	52.2	1.0~2.0	

# WIRE MOUNT

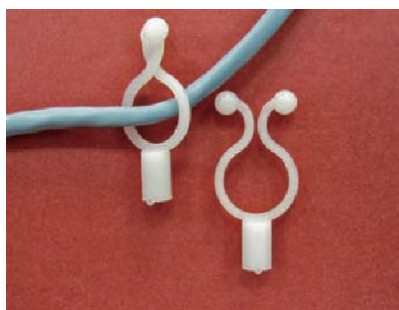


- ◆ MATERIAL: NYLON 66 (UL)
- ◆ FLAME CLASS: 94V-2/94V-0
- ◆ COLOR: NATURAL/BLACK
- ◆ UNIT: mm

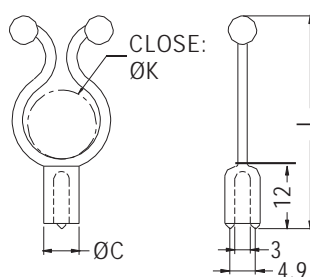


PART NO	A	G	H	J	K	L	T	PACKAGE
THCA-1	9.0	4.8~5.0	5.4	6.3	14.0	43.48	1.2~2.0	500

# HARNESS CLIP STANDOFF



- ◆ MATERIAL: NYLON 66 (UL)
- ◆ FLAME CLASS: 94V-2/94V-0
- ◆ COLOR: NATURAL/BLACK
- ◆ UNIT: mm



PART NO	C	K	L	PACKAGE
THJ-15	6.8	13.5	41.0	500

