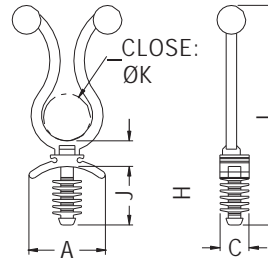


WIRE HOLDER

- ◆ MATERIAL: NYLON 66 (UL)
- ◆ FLAME CLASS: 94V-2/94V-0
- ◆ COLOR: NATURAL/BLACK
- ◆ UNIT: mm

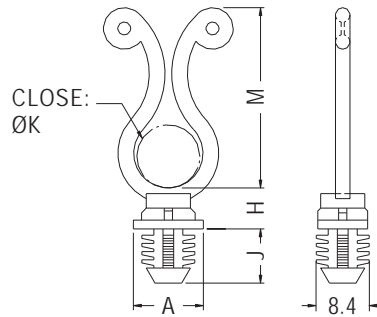


CHASSIS: ØG

PART NO	A	C	G	H	J	K	PACKAGE
WKL-10	14.6	5.5	5.0	4.9	11.2	9.0	500
WKL-10A	14.6	5.0	4.5	4.9	11.2	9.0	

WIRE SADDLE SIDE ENTRY

- ◆ MATERIAL: NYLON 66 (UL)
- ◆ FLAME CLASS: 94V-2/94V-0
- ◆ COLOR: NATURAL/BLACK
- ◆ UNIT: mm

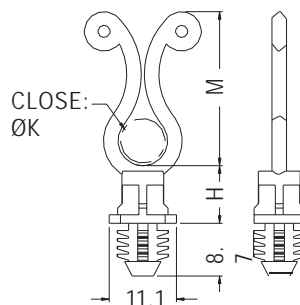


CHASSIS: ØG
PANEL THICKNESS: T MIN.

PART NO	A	G	H	J	K	M	T	PACKAGE
WTL-11	11.1	7.9	6.5	8.6	11.0	28.6	6.4	500
WTL-19					19.0	37.5		

HARNESS CLIP STANDOFF

- ◆ MATERIAL: NYLON 66 (UL)
- ◆ FLAME CLASS: 94V-2/94V-0
- ◆ COLOR: NATURAL/BLACK
- ◆ UNIT: mm



CHASSIS Ø7.9
PANEL THICKNESS 6.4 MIN.

PART NO	H	K	M	PACKAGE
WTL-764	6.4	7.6~10.2	25.4	500
WTL-795	9.5			
WTL-7127	12.7			
WTL-7159	15.9	10.2~12.7	28.6	
WTL-1064	6.4			
WTL-1095	9.5			
WTL-10127	12.7			
WTL-10159	15.9	17.8~20.3	38.1	
WTL-1764	6.4			
WTL-1795	9.5			
WTL-17127	12.7			
WTL-17159	15.9			

