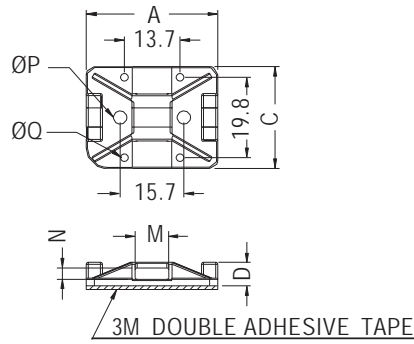


CABLE TIE MOUNT

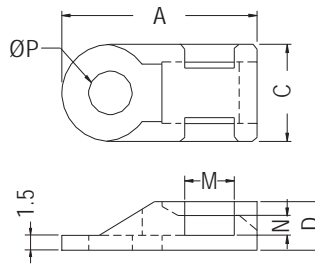
- ◆ MATERIAL: NYLON 66 (UL)
- ◆ FLAME CLASS: 94V-2/94V-0
- ◆ COLOR: NATURAL/BLACK
- ◆ UNIT: mm



PARTNO	A	C	D	M	N	P	Q	PACKAGE
CM-30	32.4	25.1	5.8	8.3	2.8	3.3	1.9	1000

CABLE TIE MOUNT

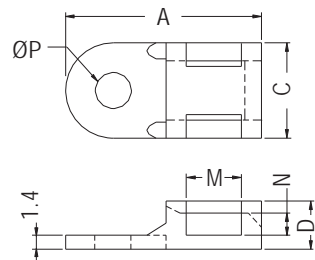
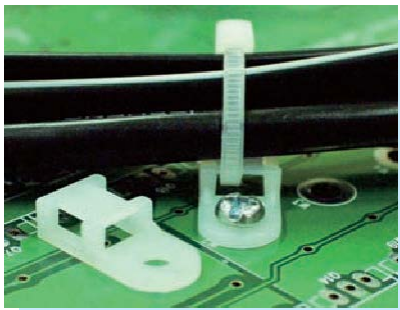
- ◆ MATERIAL: NYLON 66 (UL)
- ◆ FLAME CLASS: 94V-2/94V-0
- ◆ COLOR: NATURAL/BLACK
- ◆ UNIT: mm



PARTNO	A	C	D	M	N	P	PACKAGE
TH-1	19.5	9.6	4.9	5.0	2.0	4.4	1000

CABLE TIE MOUNT

- ◆ MATERIAL: NYLON 66 (UL)
- ◆ FLAME CLASS: 94V-2/94V-0
- ◆ COLOR: NATURAL/BLACK
- ◆ UNIT: mm



PARTNO	A	C	D	M	N	P	PACKAGE
TH-3	19.5	9.5	4.8	5.5	2.2	3.6	1000
TH-3L	19.5	9.5	4.8	5.5	2.2	4.7	