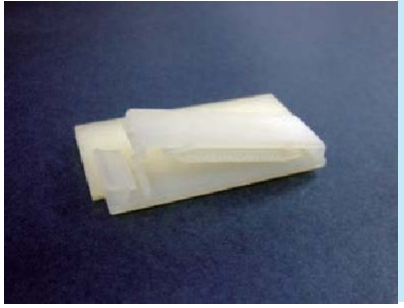
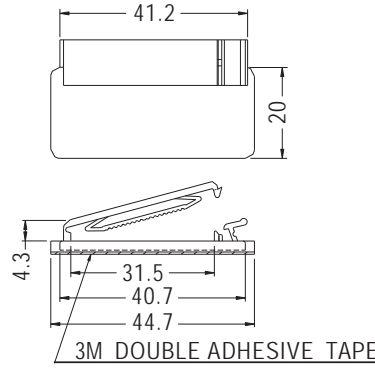


FLAT CABLE CLAMP



- ◆ MATERIAL: NYLON 66 (UL)
- ◆ FLAME CLASS: 94V-2/94V-0
- ◆ COLOR: NATURAL/BLACK
- ◆ UNIT: mm

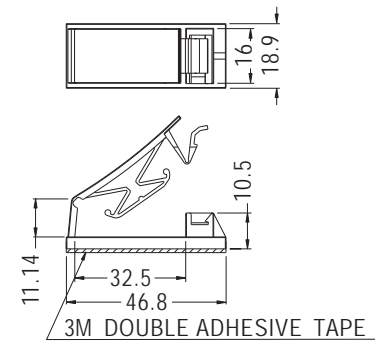


PART NO	PACKAGE
FCI-2	100

FLAT CABLE CLAMP



- ◆ MATERIAL: NYLON 66 (UL)
- ◆ FLAME CLASS: 94V-2/94V-0
- ◆ COLOR: NATURAL/BLACK
- ◆ UNIT: mm

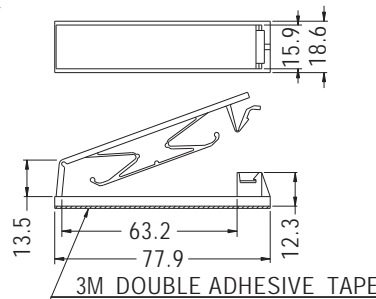


PART NO	PACKAGE
FCAM-1	100

FLAT CABLE CLAMP

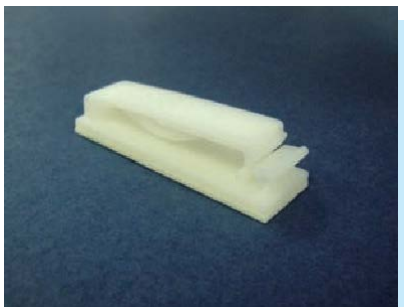


- ◆ MATERIAL: NYLON 66 (UL)
- ◆ FLAME CLASS: 94V-2/94V-0
- ◆ COLOR: NATURAL/BLACK
- ◆ UNIT: mm

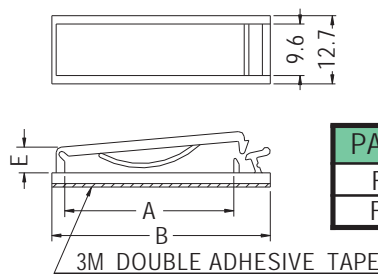


PART NO	PACKAGE
FCK-50	100

FLAT CABLE CLAMP



- ◆ MATERIAL: NYLON 66 (UL)
- ◆ FLAME CLASS: 94V-2/94V-0
- ◆ COLOR: BLACK/NATURAL
- ◆ UNIT: mm



PART NO	A	B	E	PACKAGE
FCE-1	31.5	40.7	4.8	200
FCE-2	52.0	61.2	4.8	100

