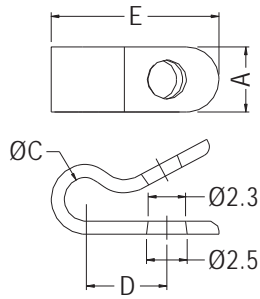
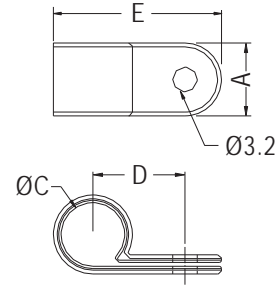


# CABLE CLAMP

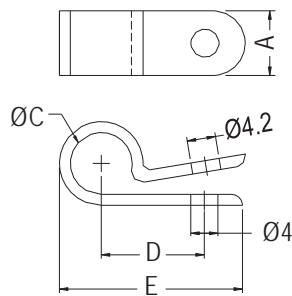
- ◆ MATERIAL: NYLON 66 (UL)
- ◆ FLAME CLASS: 94V-2/94V-0
- ◆ COLOR: NATURAL/BLACK
- ◆ UNIT: mm



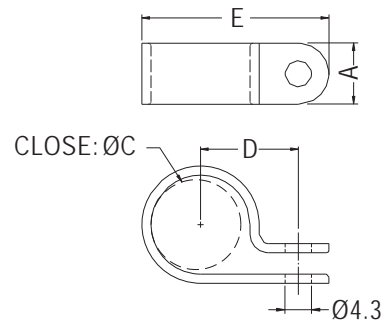
PART NO	A	C	D	E	PACKAGE
CC-28	4.0	2.7	4.95	10.3	1000



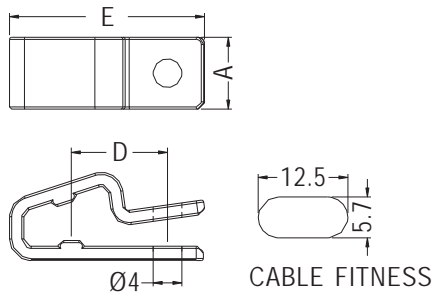
PART NO	A	C	D	E	PACKAGE
CC-29	9.5	8.3	12.0	21.9	1000



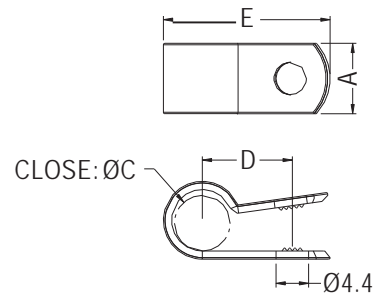
PART NO	A	C	D	E	PACKAGE
CC-42	9.5	9.1	15.15	26.9	1000



PART NO	A	C	D	E	PACKAGE
★ CC-46	10.0	14.7	16.0	30.6	1000



PART NO	A	D	E	PACKAGE
CCP-2	10.0	13.4	27.0	1000



PART NO	A	C	D	E	PACKAGE
CCF-1	9.5	7.5	12.15	22.5	1000

