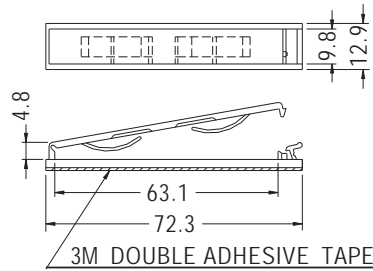


FLAT CABLE CLAMP



- ◆ MATERIAL: NYLON 66 (UL)
- ◆ FLAME CLASS: 94V-2/94V-0
- ◆ COLOR: BLACK/NATURAL
- ◆ UNIT: mm

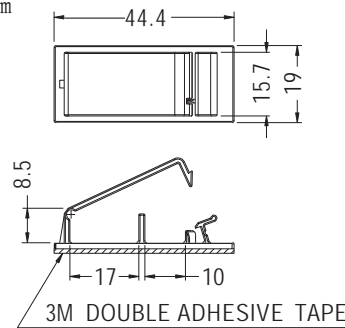


PART NO	PACKAGE
FCE-3	100

WIRE MOUNT

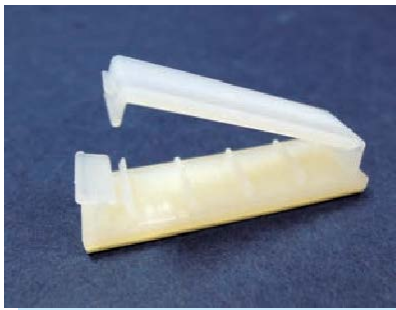


- ◆ MATERIAL: NYLON 66 (UL)
- ◆ FLAME CLASS: 94V-2/94V-0
- ◆ COLOR: NATURAL/BLACK
- ◆ UNIT: mm

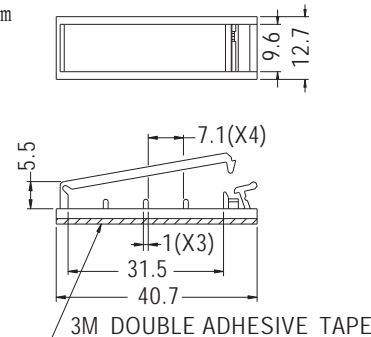


PART NO	PACKAGE
FCUB-1	200

FLAT CABLE CLAMP



- ◆ MATERIAL: NYLON 66 (UL)
- ◆ FLAME CLASS: 94V-2/94V-0
- ◆ COLOR: NATURAL/BLACK
- ◆ UNIT: mm

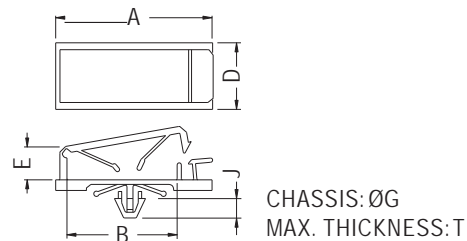


PART NO	PACKAGE
FCUB-2	200

WIRE MOUNT



- ◆ MATERIAL: NYLON 66 (UL)
- ◆ FLAME CLASS: 94V-2/94V-0
- ◆ COLOR: NATURAL/BLACK/GRAY
- ◆ UNIT: mm



PART NO	A	B	D	E	G	J	T	PACKAGE
FCJ-30	44.3	31.2	18.8	9.4	6.5	5.5	2.2	200
FCJ-30S	44.5	31.2	19.0	13.5	6.5	5.5	0.5~2.2	