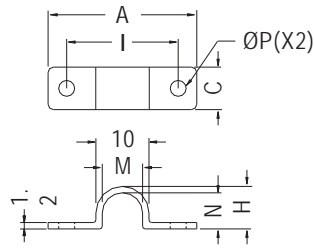


# WIRE MOUNT

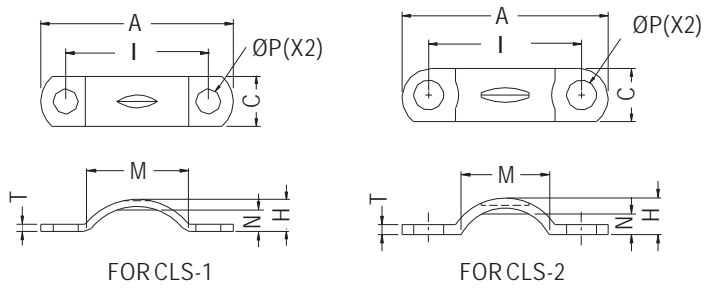
- ◆ MATERIAL: NYLON 66 (UL)
- ◆ FLAME CLASS: 94V-2/94V-0
- ◆ COLOR: NATURAL/BLACK
- ◆ UNIT: mm



PARTNO	A	C	H	I	M	N	P	PACKAGE
CLM-7.5	28.0	8.0	8.0	21.0	7.6	6.8	3.0	1000

# WIRE MOUNT

- ◆ MATERIAL: STEEL
- ◆ UNIT: mm

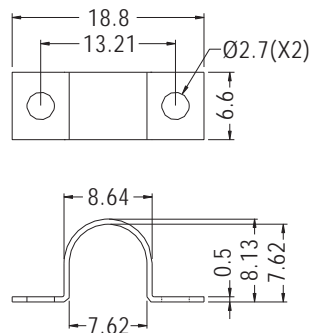


PARTNO	A	C	H	I	M	N	P	T	PACKAGE
CLS-1	27.0	7.0	4.5	20.0	13.5	3.0	3.5	1.0	1000
★ CLS-2	31.0	8.0	5.5	23.0	13.3	3.1	4.5	1.5	1000

# WIRE MOUNT



- ◆ MATERIAL: ZINC PLATED STEEL
- ◆ UNIT: mm



PARTNO	PACKAGE
EM-514H	1000