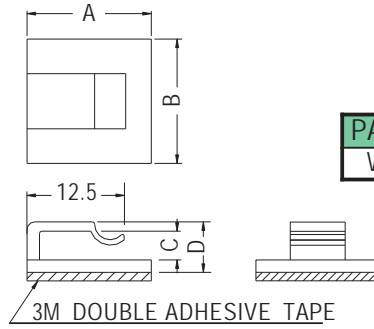


WIRE MOUNT

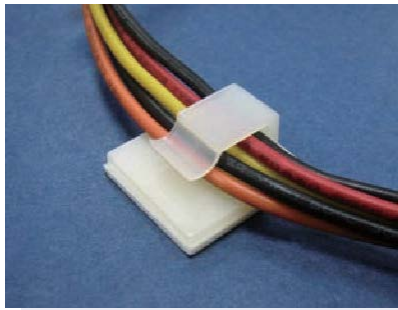


- ◆ MATERIAL:NYLON 66 (UL)
- ◆ FLAME CLASS:94V-2/94V-0
- ◆ COLOR:NATURAL/BLACK
- ◆ UNIT:mm

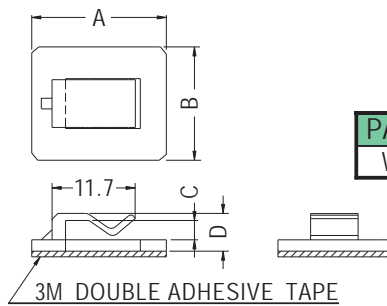


PARTNO	A	B	C	D	PACKAGE
WCS-3	16.0	16.0	3.7	6.5	500

WIRE MOUNT

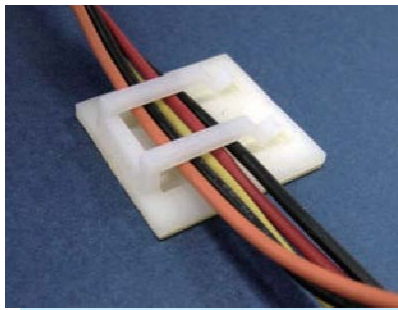


- ◆ MATERIAL:NYLON 66 (UL)
- ◆ FLAME CLASS:94V-2/94V-0
- ◆ COLOR:NATURAL/BLACK
- ◆ UNIT:mm

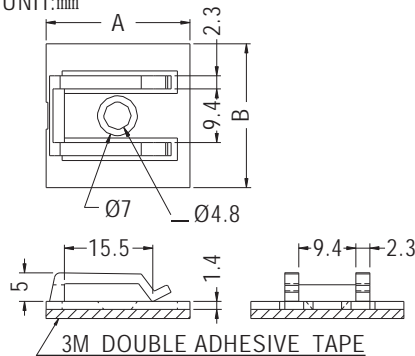


PARTNO	A	B	C	D	PACKAGE
WCS-4	18.9	15.9	2.7	5.3	500

WIRE MOUNT

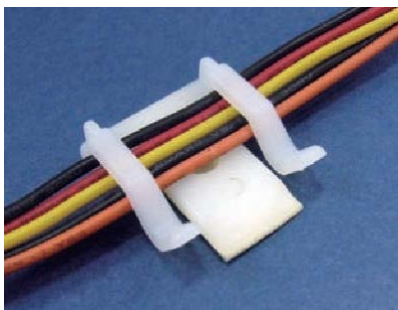


- ◆ MATERIAL:NYLON 66 (UL)
- ◆ FLAME CLASS:94V-2/94V-0
- ◆ COLOR:NATURAL/BLACK
- ◆ UNIT:mm

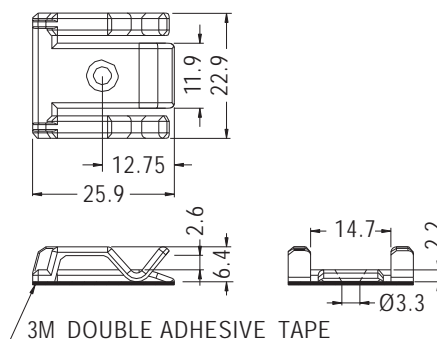


PARTNO	A	B	PACKAGE
FCP-22	25.2	25.2	500
FCP-22SN	24.2	25.2	

WIRE MOUNT



- ◆ MATERIAL:NYLON 66 (UL)
- ◆ FLAME CLASS:94V-2/94V-0
- ◆ COLOR:NATURAL/BLACK
- ◆ UNIT:mm



PARTNO	PACKAGE
FCP-25	500

