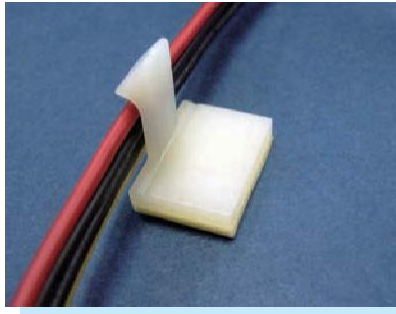
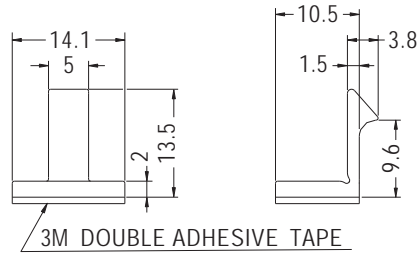


WIRE MOUNT



- ◆ MATERIAL: NYLON 66 (UL)
- ◆ FLAME CLASS: 94V-2/94V-0
- ◆ COLOR: NATURAL/BLACK
- ◆ UNIT: mm

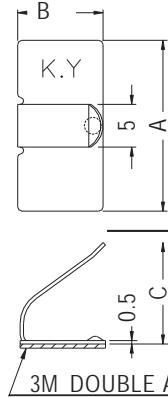


PART NO	PACKAGE
WCLL-1	500

WIRE MOUNT

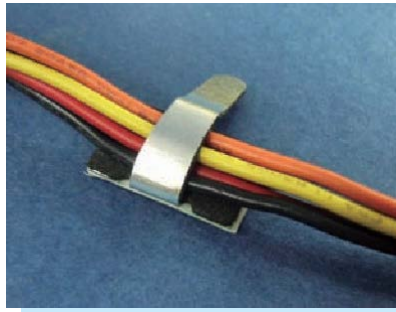


- ◆ MATERIAL: STEEL
- ◆ UNIT: mm

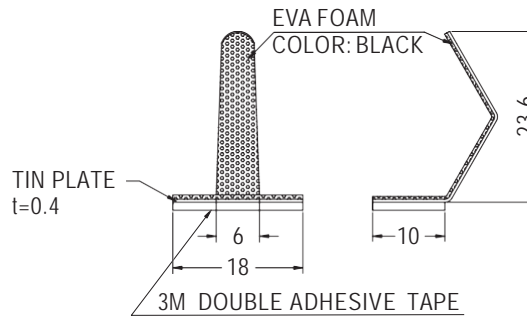


PART NO	A	B	C	PACKAGE
WCM-1	20.0	10.0	11.6	1000
WCM-2	25.0	15.0	17.1	500

WIRE MOUNT



- ◆ MATERIAL: STEEL
- ◆ UNIT: mm

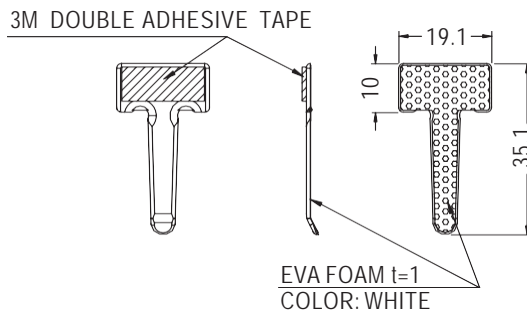


PART NO	PACKAGE
WCM-5L	1000

WIRE MOUNT



- ◆ MATERIAL: SPTe
- ◆ UNIT: mm



PART NO	PACKAGE
WCM-9A	1000

