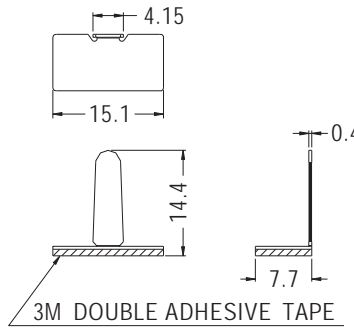
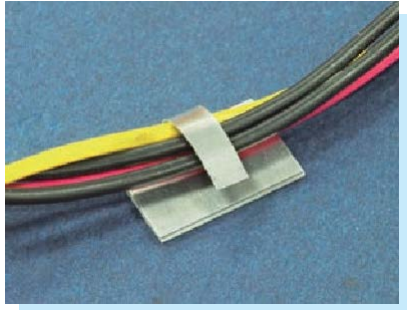
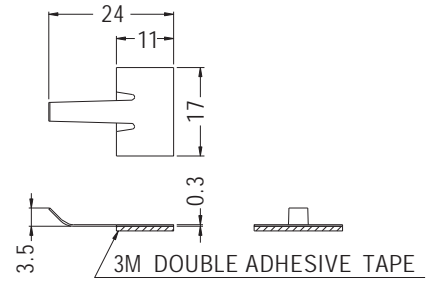


# CABLE HOLDING PLATE

- ◆ MATERIAL: SPTe
- ◆ UNIT: mm
- ◆ MATERIAL: ALUMINUM



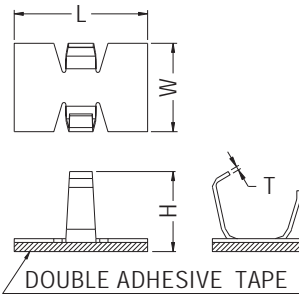
PART NO	PACKAGE
WCM-10	1000



PART NO	PACKAGE
WCM-11	1000

# CABLE HOLDING PLATE

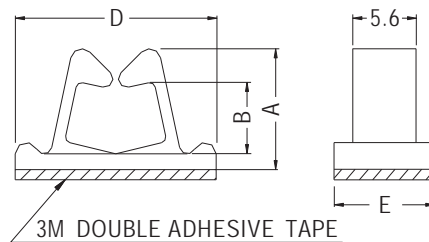
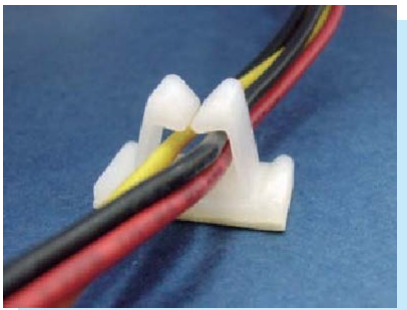
- ◆ MATERIAL: ALUMINUM
- ◆ COLOR: NATURAL
- ◆ UNIT: mm



PART NO	H	L	T	W	PACKAGE
ALACO-01	9.4	16.0	0.45	10.6	500
ALACO-02	14.9	19.0	0.7	16.0	

# WIRE MOUNT

- ◆ MATERIAL: NYLON 66 (UL)
- ◆ FLAME CLASS: 94V-2/94V-0
- ◆ COLOR: NATURAL/BLACK
- ◆ UNIT: mm



PART NO	A	B	D	E	PACKAGE
WT-2	10.7	6.3	17.8	8.9	1000
WT-2L	10.8	6.5	25.5	12.6	

