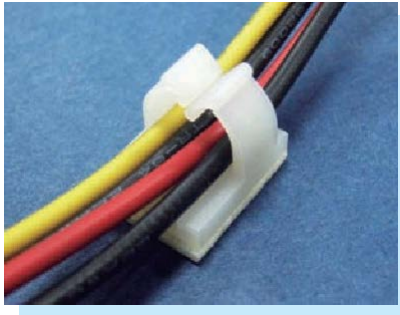
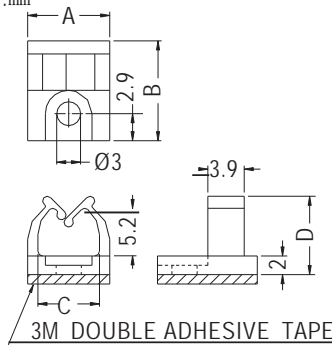


WIRE SADDLE

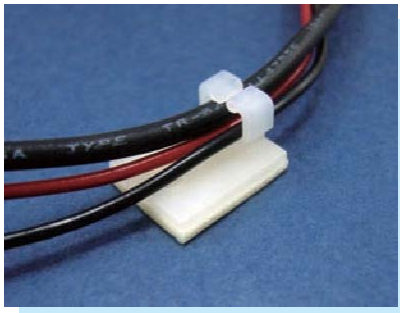


- ◆ MATERIAL: NYLON 66 (UL)
- ◆ FLAME CLASS: 94V-2/94V-0
- ◆ COLOR: NATURAL/BLACK
- ◆ UNIT: mm

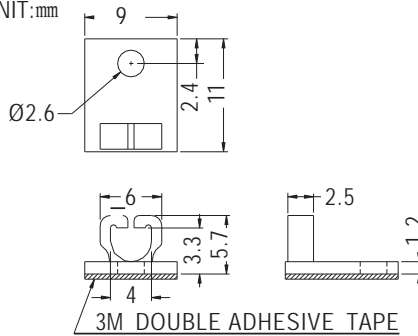


PARTNO	A	B	C	D	PACKAGE
MWS-9	8.8	10.7	6.6	8.4	1000

WIRE SADDLE

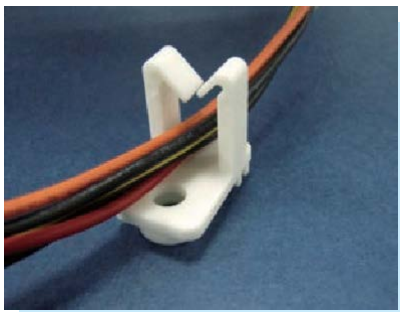


- ◆ MATERIAL: NYLON 66 (UL)
- ◆ FLAME CLASS: 94V-2/94V-0
- ◆ COLOR: NATURAL/BLACK
- ◆ UNIT: mm

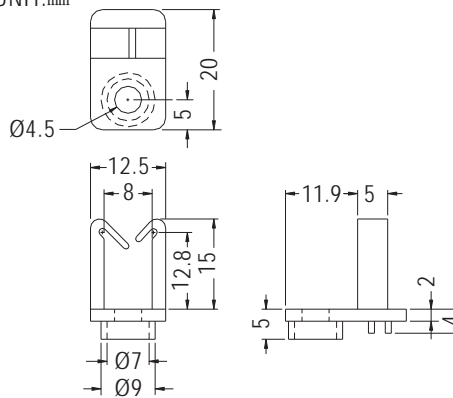


PARTNO	PACKAGE
IMN-1	1000

WIRE SADDLE



- ◆ MATERIAL: NYLON 66 (UL)
- ◆ FLAME CLASS: 94V-2/94V-0
- ◆ COLOR: NATURAL/BLACK
- ◆ UNIT: mm

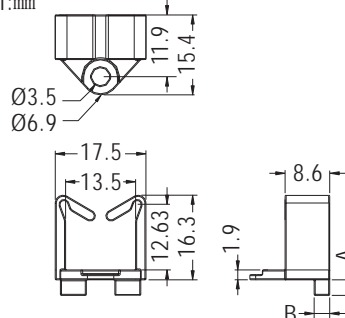


PARTNO	PACKAGE
CHU-1	1000

WIRE SADDLE



- ◆ MATERIAL: NYLON 66 (UL)
- ◆ FLAME CLASS: 94V-2/94V-0
- ◆ COLOR: NATURAL/BLACK
- ◆ UNIT: mm



PARTNO	A	B	PACKAGE
CHUA-1	/	/	1000
CHUA-2	3.0	3.0	

