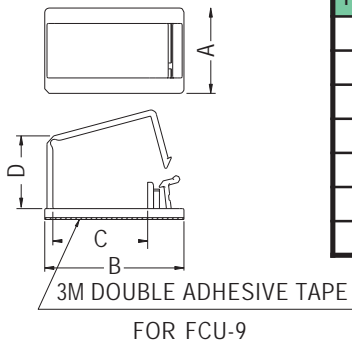
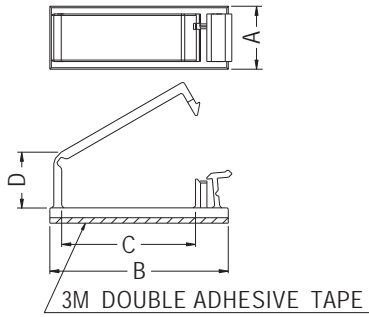


# WIRE MOUNT

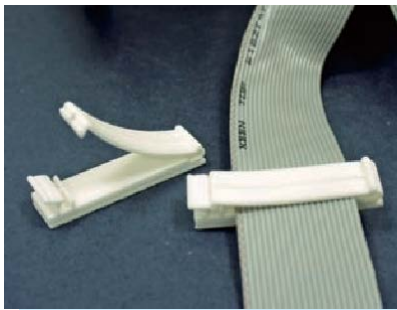


- ◆ MATERIAL: NYLON 66 (UL)
- ◆ FLAME CLASS: 94V-2/94V-0
- ◆ COLOR: NATURAL/BLACK
- ◆ UNIT: mm

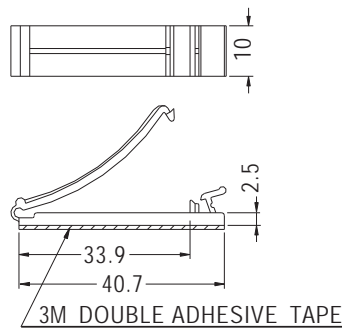


PART NO	A	B	C	D	PACKAGE
FCU-1	12.7	40.7	31.5	5.5	200
FCU-2	12.7	36.0	27.0	11.2	
FCU-3	15.0	36.0	27.0	13.9	
FCU-4	12.5	35.8	26.8	8.3	
FCU-5	12.7	26.2	17.0	4.55	
FCU-8	12.9	72.3	63.1	6.7	100
FCU-9	18.8	30.7	20.9	16.0	

# FLAT CABLE CLAMP



- ◆ MATERIAL: NYLON 66 (UL)
- ◆ FLAME CLASS: 94V-2/94V-0
- ◆ COLOR: NATURAL/BLACK
- ◆ UNIT: mm

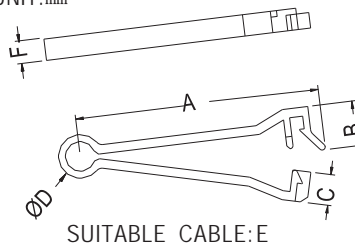


PART NO	PACKAGE
FCJ-40	100

# FLAT CABLE CLAMP



- ◆ MATERIAL: NYLON 66 (UL)
- ◆ FLAME CLASS: 94V-2/94V-0
- ◆ COLOR: BLACK/NATURAL
- ◆ UNIT: mm



PART NO	A	B	C	D	E	F	PACKAGE
FCE-30	62.3	13.0	8.9	12.0	30 PIN	6.4	100
FCE-40	70.2	12.2	8.7	12.8	40 PIN	6.2	

