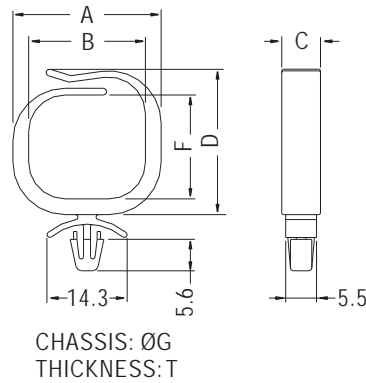


## HARNESS CLIP STANDOFF

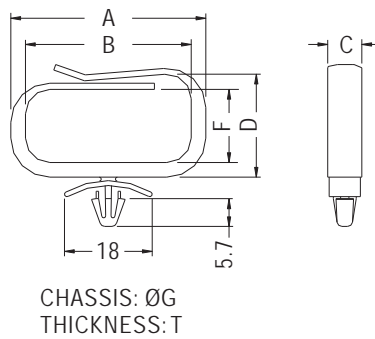
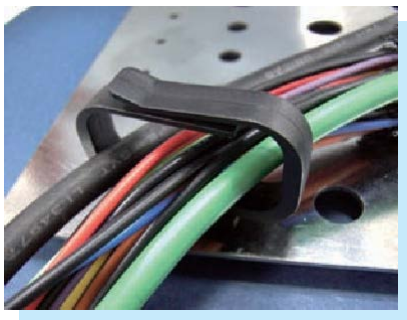
- ◆ MATERIAL: NYLON 66 (UL)
- ◆ FLAME CLASS: 94V-2/94V-0
- ◆ COLOR: NATURAL/BLACK
- ◆ UNIT: mm



| PART NO | A    | B    | C   | D    | F    | G       | T       | PACKAGE |
|---------|------|------|-----|------|------|---------|---------|---------|
| CHD-18  | 26.4 | 20.8 | 6.9 | 25.9 | 18.5 | 4.8~5.0 | 0.8~2.0 | 250     |

## HARNESS CLIP STANDOFF

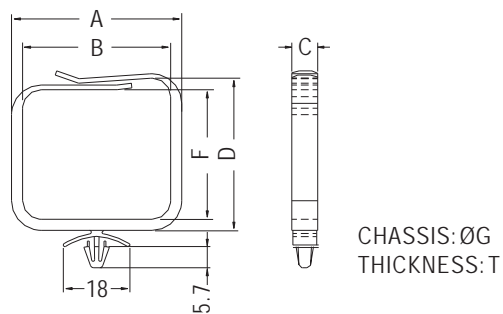
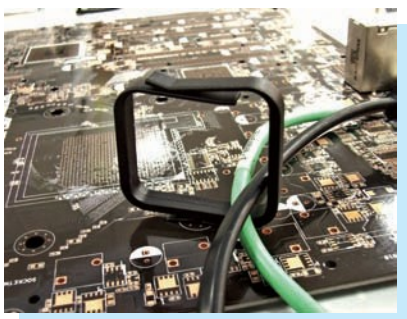
- ◆ MATERIAL: NYLON 66 (UL)
- ◆ FLAME CLASS: 94V-2/94V-0
- ◆ COLOR: NATURAL/BLACK
- ◆ UNIT: mm



| PART NO  | A    | B    | C   | D     | F    | G   | T       | PACKAGE |
|----------|------|------|-----|-------|------|-----|---------|---------|
| CHD15-34 | 40.0 | 34.0 | 7.0 | 21.12 | 15.0 | 4.8 | 0.8~2.0 | 250     |

## WIRE MOUNT

- ◆ MATERIAL: NYLON 66 (UL)
- ◆ FLAME CLASS: 94V-2/94V-0
- ◆ COLOR: NATURAL/BLACK
- ◆ UNIT: mm



| PART NO  | A    | B    | C   | D     | F    | G   | T       | PACKAGE |
|----------|------|------|-----|-------|------|-----|---------|---------|
| CHD35-40 | 46.0 | 40.0 | 7.0 | 41.12 | 35.0 | 4.8 | 0.8~2.0 | 200     |

