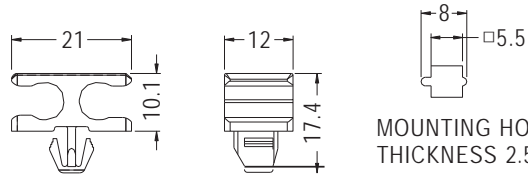


# HARNESS CLIP STANDOFF

- ◆ MATERIAL: NYLON 66 (UL)
- ◆ FLAME CLASS: 94V-2/94V-0
- ◆ COLOR: NATURAL/BLACK
- ◆ UNIT: mm

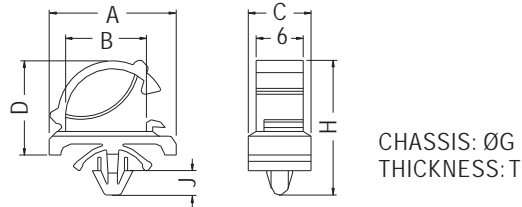
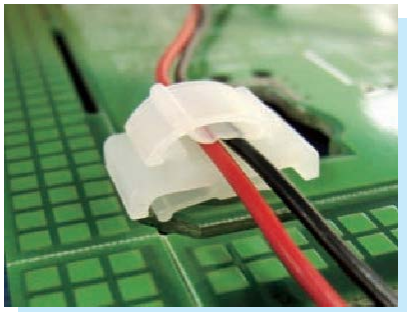


MOUNTING HOLE  
THICKNESS 2.5

PART NO	PACKAGE
CHQE-1	1000

# WIRE MOUNT

- ◆ MATERIAL: NYLON 66 (UL)
- ◆ FLAME CLASS: 94V-2/94V-0
- ◆ COLOR: NATURAL/BLACK
- ◆ UNIT: mm

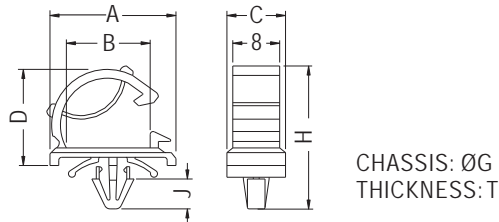


CHASSIS: ØG  
THICKNESS: T

PARTNO	A	B	C	D	G	H	J	T	PACKAGE
WLO-1	13.5	6.2	8.0	8.2	3.5	14.0	3.1	0.8-2.0	1000
WLO-1-2.5	13.5	6.2	8.0	8.6	3.5	14.6	3.1	0.8-2.5	
WLO-2	16.2	10.3	8.0	12.0	3.5	17.6	3.1	0.8-2.0	
WLO-2-2.5	16.2	10.3	8.0	12.0	3.5	18.0	3.1	0.8-2.5	

# WIRE MOUNT

- ◆ MATERIAL: NYLON 66 (UL)
- ◆ FLAME CLASS: 94V-2/94V-0
- ◆ COLOR: NATURAL/BLACK
- ◆ UNIT: mm

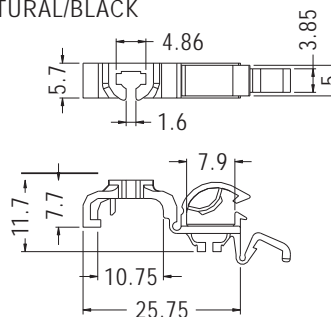


CHASSIS: ØG  
THICKNESS: T

PARTNO	A	B	C	D	G	H	J	T	PACKAGE
WLO-3	21.5	14.3	10.0	16.4	4.8	24.6	5.1	0.8-2.5	500

# WIRE MOUNT

- ◆ MATERIAL: NYLON 66 (UL)
- ◆ FLAME CLASS: 94V-2/94V-0
- ◆ COLOR: NATURAL/BLACK
- ◆ UNIT: mm



PARTNO	PACKAGE
EMF-6	500

