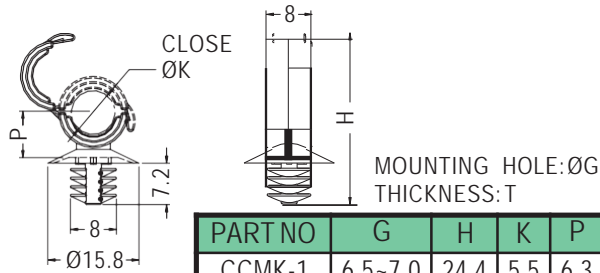


# WIRE MOUNT



- ◆ MATERIAL: NYLON 66 (UL)
- ◆ FLAME CLASS: 94V-2/94V-0
- ◆ COLOR: NATURAL/BLACK
- ◆ UNIT: mm

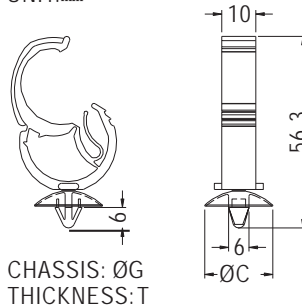


PART NO	G	H	K	P	T	PACKAGE
CCMK-1	6.5~7.0	24.4	5.5	6.3	0.8~9.0	1000
CCMK-2	6.5~7.0	29.8	8.0	7.7	0.8~9.0	

# WIRE MOUNT



- ◆ MATERIAL: NYLON 66 (UL)
- ◆ FLAME CLASS: 94V-2/94V-0
- ◆ COLOR: NATURAL/BLACK
- ◆ UNIT: mm

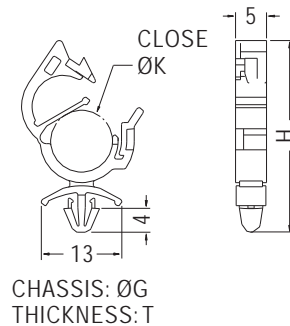


PART NO	C	G	T	PACKAGE
CCMI-1	20.0	6.2~6.7	0.5~2.0	1000

# WIRE MOUNT

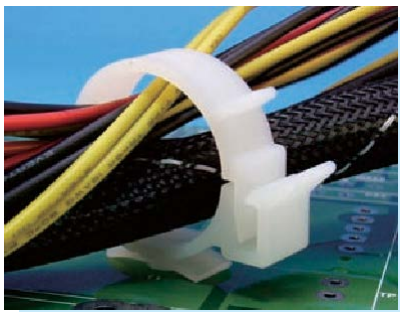


- ◆ MATERIAL: NYLON 66 (UL)
- ◆ FLAME CLASS: 94V-2/94V-0
- ◆ COLOR: NATURAL/BLACK
- ◆ UNIT: mm

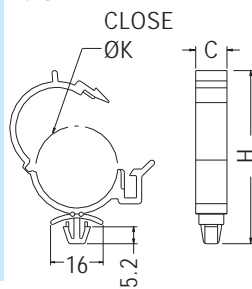


PART NO	G	H	K	T	PACKAGE
CHN-7.6	4.0	26.7	7.6	0.8~1.6	500
CHN-10	4.0	31.0	10.0	0.8~1.6	
CHN-12	4.0	34.4	12.0	0.8~1.6	

# WIRE MOUNT



- ◆ MATERIAL: NYLON 66 (UL)
- ◆ FLAME CLASS: 94V-2/94V-0
- ◆ COLOR: NATURAL/BLACK
- ◆ UNIT: mm



PART NO	C	G	H	K	T	PACKAGE
FWT-25	9.5	6.5	52.8	25.0	0.8~1.6	100
FWT-30	9.5	6.5	59.7	30.0	0.8~2.0	

