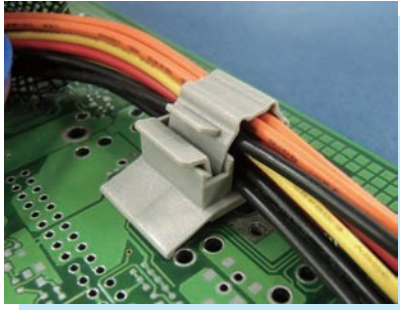
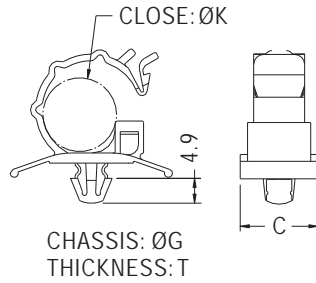


# WIRE MOUNT



- ◆ MATERIAL: NYLON 66 (UL)
- ◆ FLAME CLASS: 94V-2/94V-0
- ◆ COLOR: NATURAL/BLACK/GRAY
- ◆ UNIT: mm

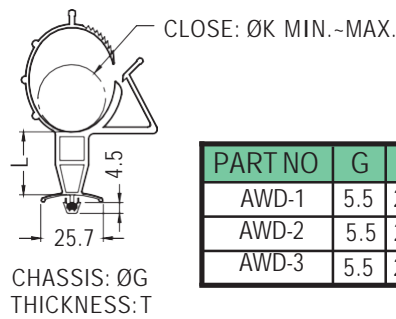


PARTNO	C	G	K	T	PACKAGE
CKS-7	15.0	6.4	7.0	0.8~2.3	200
CKS-10	17.2	6.4	10.3	0.8~2.3	
CKS-13-L	19.2	6.4	13.0	0.5~2.3	
CKS-14	19.3	6.4	14.8	0.8~2.3	
CKS-16-L	21.3	6.4	16.0	0.5~2.3	
CKS-20-L	23.2	6.4	20.0	0.5~2.3	
CKS-20-H	23.2	6.4	20.0	2.3~4.1	

# T8 LAMP MOUNT

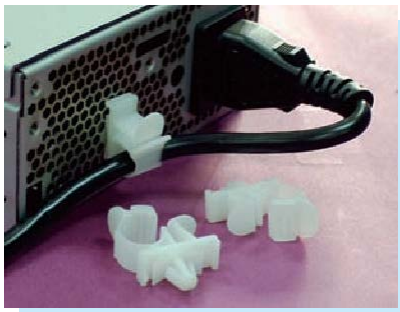


- ◆ MATERIAL: NYLON 66 (UL)
- ◆ FLAME CLASS: 94V-2/94V-0
- ◆ COLOR: NATURAL/BLACK
- ◆ UNIT: mm

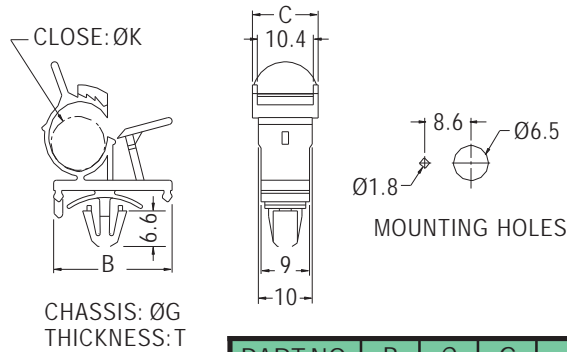


PARTNO	G	K	L	T	PACKAGE
AWD-1	5.5	27.8~33.8	26.0	1.0~1.2	50
AWD-2	5.5	27.8~33.8	9.0	1.0~1.2	100
AWD-3	5.5	27.8~33.8	26.0	1.0~1.2	50

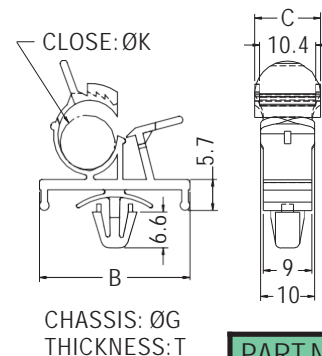
# WIRE MOUNT



- ◆ MATERIAL: NYLON 66 (UL)
- ◆ FLAME CLASS: 94V-2/94V-0
- ◆ COLOR: NATURAL/BLACK
- ◆ UNIT: mm



PARTNO	B	C	G	K	T	PACKAGE
AWK-10	22.0	12.2	6.5	7.0~9.5	0.8~1.6	2000



PARTNO	B	C	G	K	T	PACKAGE
AWK-16	27.6	12.2	6.5	7.0~9.5	0.8~2.5	1000

