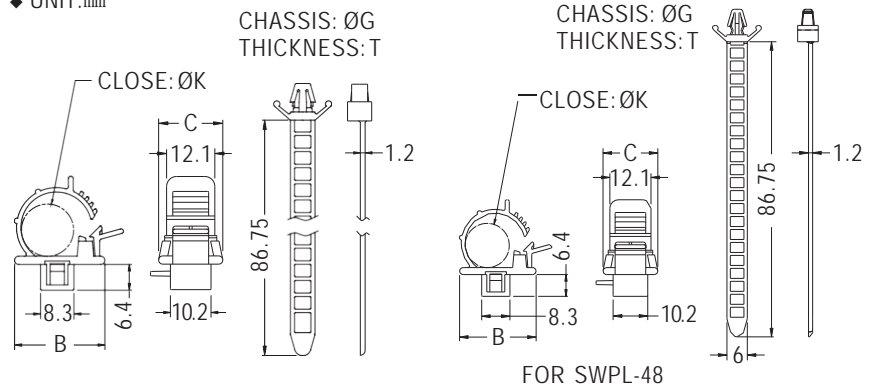
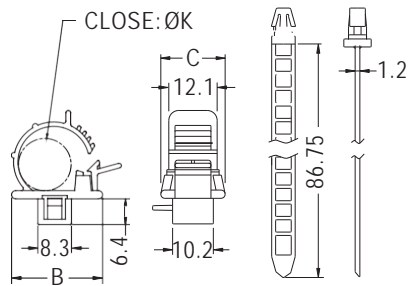


- ◆ MATERIAL: NYLON 66 (UL)
- ◆ FLAME CLASS: 94V-2/94V-0
- ◆ COLOR: BLACK
- ◆ UNIT: mm



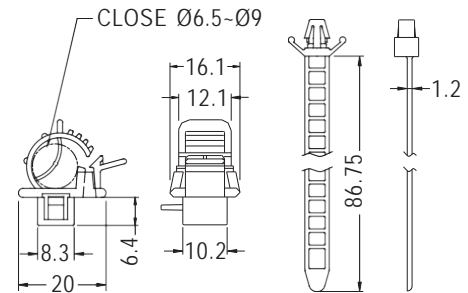
PART NO	B	C	G	K	T	PACKAGE
SWPL-1	22.5	16.1	4.8	11.0~13.0	0.8~2.0	100
SWPL-4	22.5	16.1	4.8	12.0~15.0	0.8~2.0	
SWPL-6	22.5	16.1	3.5	11.0~13.0	0.8~2.0	
SWPL-8	29.5	16.1	4.8	19.0~22.0	0.8~2.0	
SWPL-48	22.5	16.1	4.0	11.0~13.0	0.8~2.0	

CHASSIS: ØG
THICKNESS: T



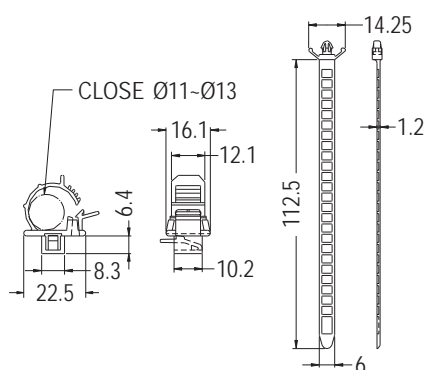
PART NO	B	C	G	K	T	PACKAGE
SWPL-2	22.5	16.1	4.8	11.0~13.0	2.0~3.0	100
SWPL-11	22.5	16.1	4.0	11.0~13.0	0.6~1.2	
SWPL-27	22.5	16.1	4.8	11.0~13.0	0.6~1.2	

CHASSIS Ø4.8
THICKNESS 0.8~2.0



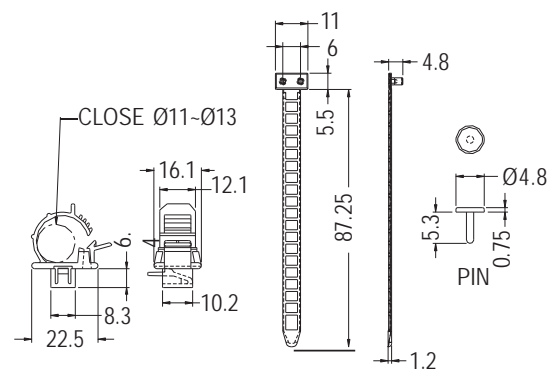
PART NO	PACKAGE
SWPL-3	100

CHASSIS Ø3.5
THICKNESS 0.8~2.0



PART NO	PACKAGE
SWPL-22	100

MOUNTING HOLE: ØG
THICKNESS 1.8 MAX.



PART NO	G	PACKAGE
SWPL-37	2.5	100
★ SWPL-37BS	2.3	

