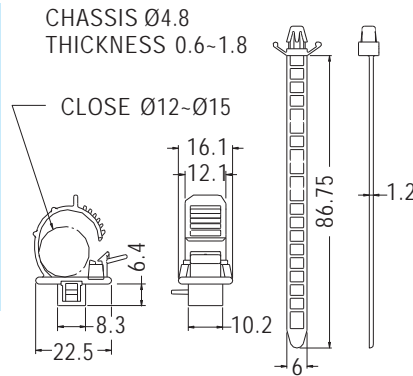
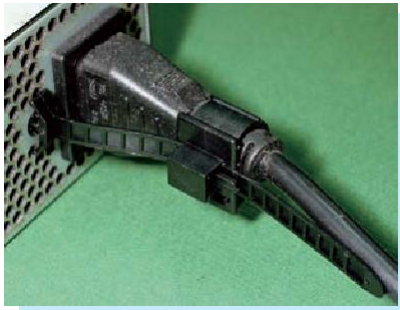


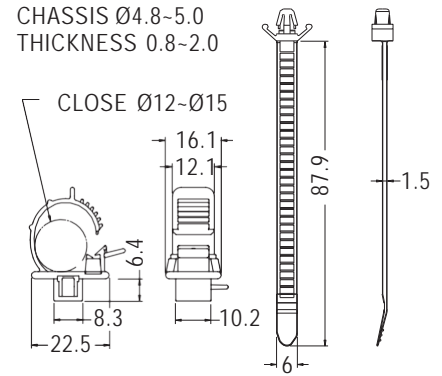
# WIRE MOUNT

**NEW**

- ◆ MATERIAL: NYLON 66 (UL)
- ◆ FLAME CLASS: 94V-2/94V-0
- ◆ COLOR: BLACK
- ◆ UNIT: mm



PART NO	PACKAGE
SWPL-57	100



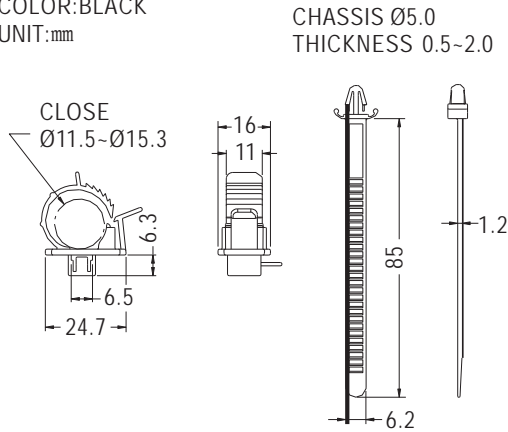
PART NO	PACKAGE
SWPL-58	100

4

# WIRE MOUNT

**NEW**

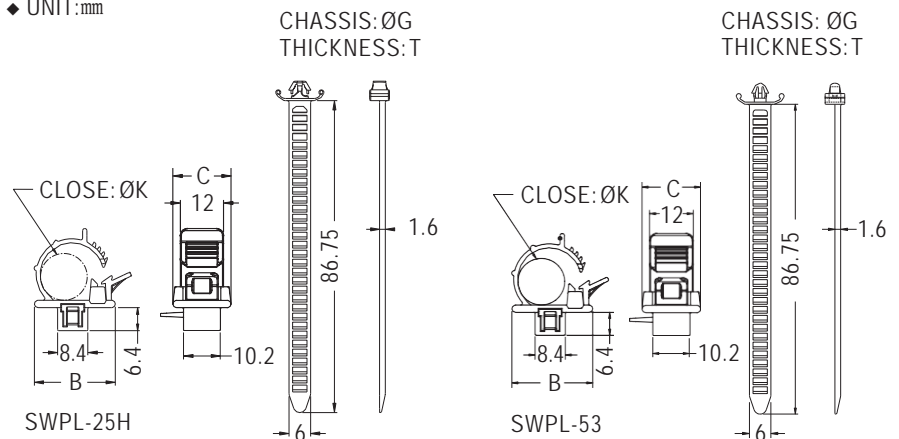
- ◆ MATERIAL: NYLON 66 (UL)
- ◆ FLAME CLASS: 94V-2/94V-0
- ◆ COLOR: BLACK
- ◆ UNIT: mm



PART NO	PACKAGE
SWPL-65	100

# WIRE MOUNT

- ◆ MATERIAL: NYLON 66 (UL)
- ◆ FLAME CLASS: 94V-2/94V-0
- ◆ COLOR: BLACK
- ◆ UNIT: mm



SWPL-25H

SWPL-53

PART NO	B	C	G	K	T	PACKAGE
SWPL-25H	22.5	16.1	4.8	11.0~13.0	0.8~2.0	100
SWPL-53	22.5	16.1	3.5	11.0~13.0	0.8~2.0	

