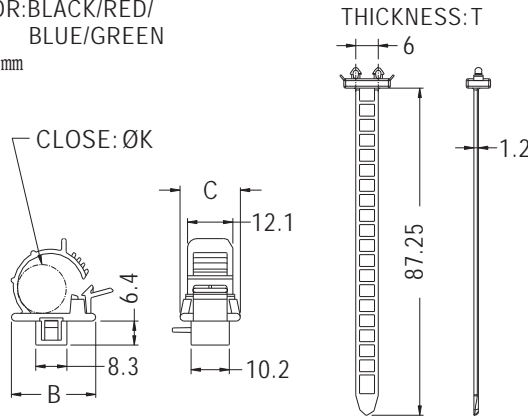


WIRE MOUNT

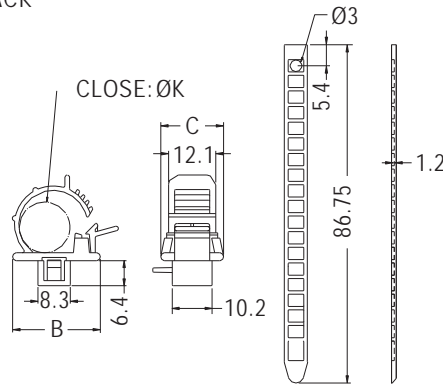
- ◆ MATERIAL: NYLON 66 (UL)
- ◆ FLAME CLASS: 94V-2/94V-0
- ◆ COLOR: BLACK/RED/
BLUE/GREEN
- ◆ UNIT: mm



PART NO	B	C	G	K	T	PACKAGE
SWPL-15S	22.5	16.1	2.2	11.0~13.0	0.8~1.0	100

WIRE MOUNT

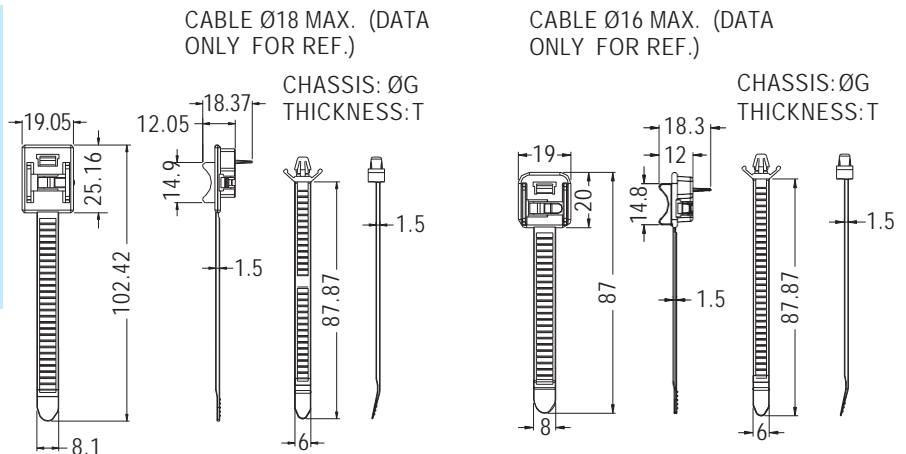
- ◆ MATERIAL: NYLON 66 (UL)
- ◆ FLAME CLASS: 94V-2/94V-0
- ◆ COLOR: BLACK
- ◆ UNIT: mm



PART NO	B	C	K	PACKAGE
SWPL-19H	22.5	16.1	11.0~13.0	100

WIRE MOUNT

- ◆ MATERIAL: NYLON 66 (UL)
- ◆ FLAME CLASS: 94V-2/94V-0
- ◆ COLOR: BLACK
- ◆ UNIT: mm



PART NO	G	T	PACKAGE
SWPL-16	4.8	0.8~2.0	500

PART NO	G	T	PACKAGE
SWPL-21	4.8	0.8~2.0	500

