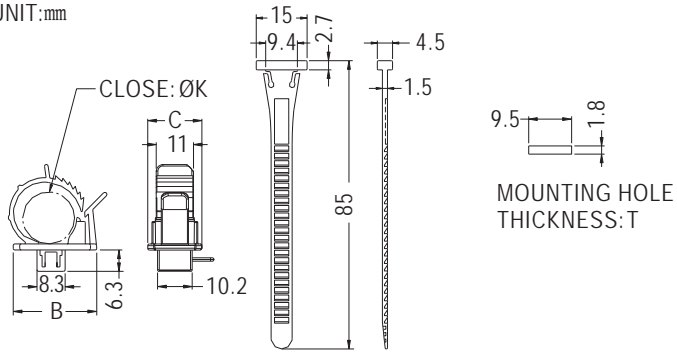


WIRE MOUNT



- ◆ MATERIAL: NYLON 66 (UL)
- ◆ FLAME CLASS: 94V-2/94V-0
- ◆ COLOR: BLACK
- ◆ UNIT: mm

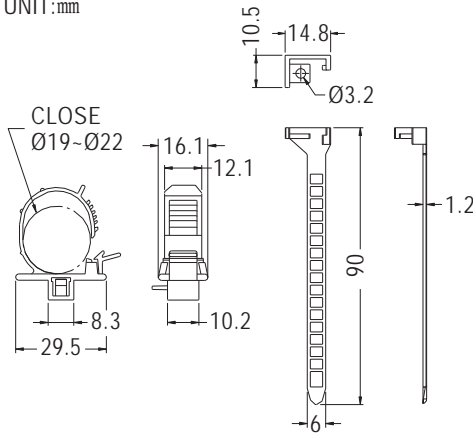


PART NO	B	C	K	T	PACKAGE
SWPL-23	24.7	16.0	11.5-15.3	0.8	100

WIRE MOUNT



- ◆ MATERIAL: NYLON 66 (UL)
- ◆ FLAME CLASS: 94V-2/94V-0
- ◆ COLOR: BLACK
- ◆ UNIT: mm

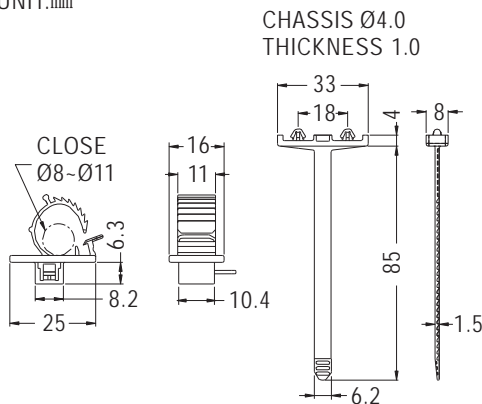


PART NO	PACKAGE
SWPL-43H	100

WIRE MOUNT



- ◆ MATERIAL: NYLON 66 (UL)
- ◆ FLAME CLASS: 94V-2/94V-0
- ◆ COLOR: BLACK
- ◆ UNIT: mm



PART NO	PACKAGE
SWPL-46	100

