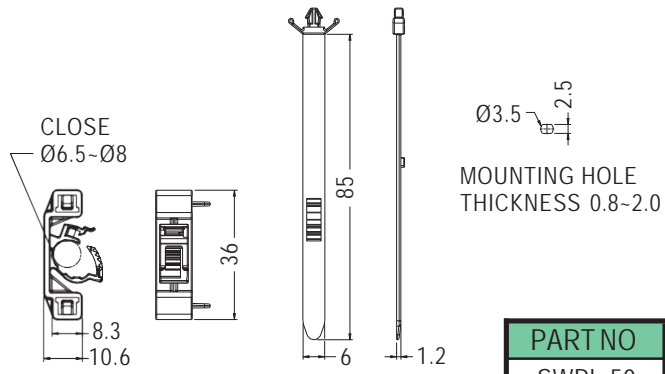


# WIRE MOUNT

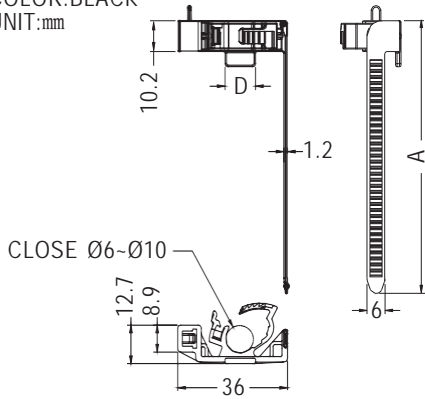
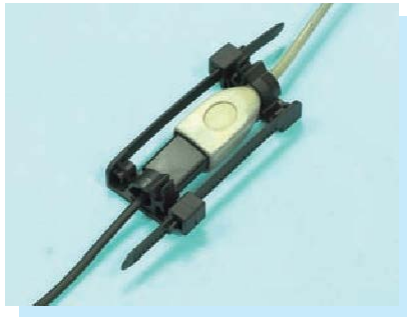
- ◆ MATERIAL:NYLON 66 (UL)
- ◆ FLAME CLASS:94V-2/94V-0
- ◆ COLOR:BLACK
- ◆ UNIT:mm



PART NO	PACKAGE
SWPL-50	100

# WIRE MOUNT

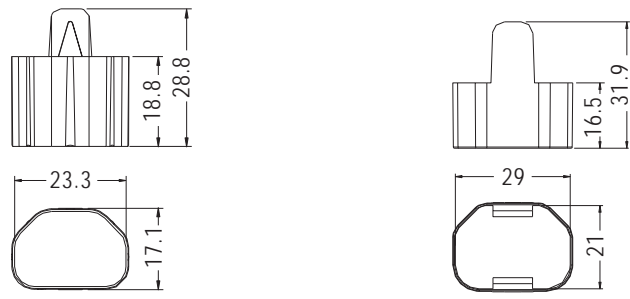
- ◆ MATERIAL:NYLON 66 (UL)
- ◆ FLAME CLASS:94V-2/94V-0
- ◆ COLOR:BLACK
- ◆ UNIT:mm



PART NO	A	D	PACKAGE
SWPL-52	90.17	10.0	100
★ SWPL-55	90.2		
★ SWPL-59	115.2	10.0	

# POWER PLUG MOUNT

- ◆ MATERIAL:NYLON 66 (UL)
- ◆ FLAME CLASS:94V-2/94V-0
- ◆ COLOR:NATURAL/BLACK
- ◆ UNIT:mm



PART NO	PACKAGE
SWKL-1	1000

PART NO	PACKAGE
SWKL-2	1000

