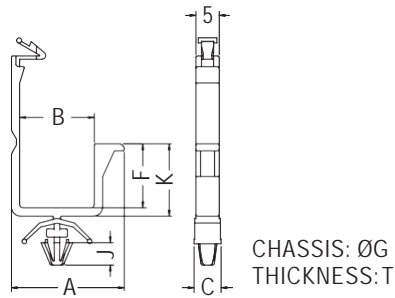
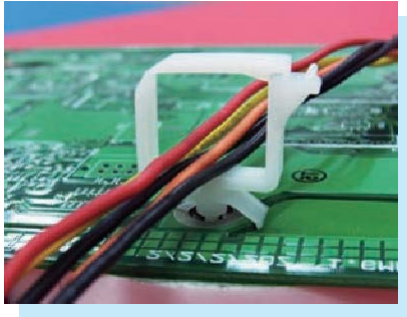


WIRE SADDLE

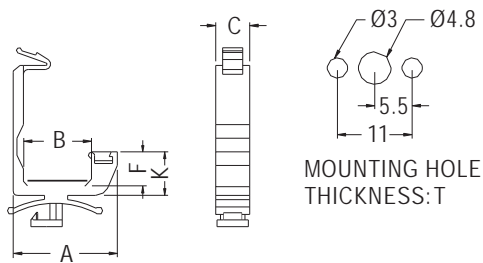
- ◆ MATERIAL: NYLON 66 (UL)
- ◆ FLAME CLASS: 94V-2/94V-0
- ◆ COLOR: NATURAL/BLACK
- ◆ UNIT: mm



PART NO	A	B	C	F	G	J	K	T	PACKAGE
CHK-14	24.2	16.0	5.8	13.7	4.8	4.8	15.5	2.0-3.0	500
CHK-15	26.7	18.5	5.8	22.3	4.8	4.8	24.1	2.0-3.0	

WIRE MOUNT

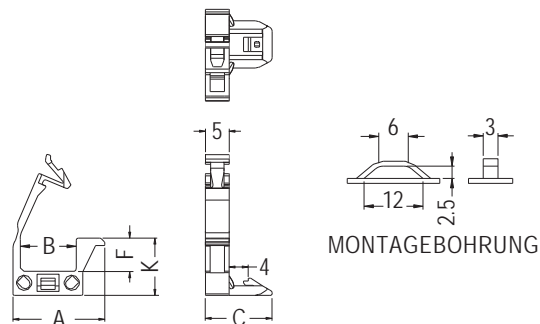
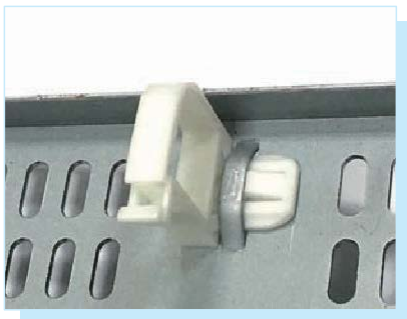
- ◆ MATERIAL: NYLON 66 (UL)
- ◆ FLAME CLASS: 94V-2/94V-0
- ◆ COLOR: NATURAL/BLACK
- ◆ UNIT: mm



PART NO	A	B	C	F	K	T	PACKAGE
CHWA-2	15.3	10.0	5.0	5.0	6.4	0.5-1.6	500

WIRE MOUNT

- ◆ MATERIAL: NYLON 66 (UL)
- ◆ FLAME CLASS: 94V-2/94V-0
- ◆ COLOR: NATURAL/WHITE/BLACK
- ◆ UNIT: mm



PART NO	A	B	C	F	K	PACKAGE
CHCK-1	19.25	11.74	14.0	6.95	12.0	500
★ CHCK-2	19.25	11.7	14.0	12.65	17.7	

