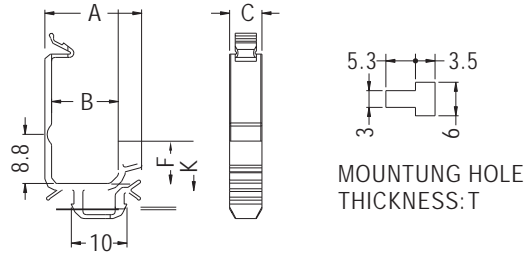


# WIRE MOUNT

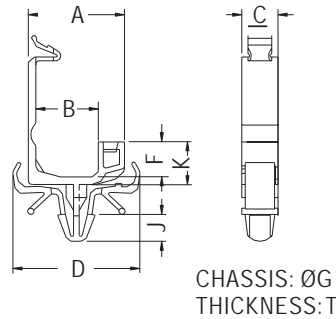
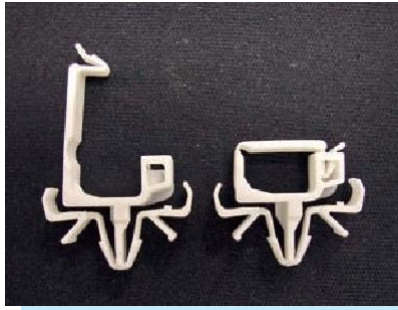
- ◆ MATERIAL:NYLON 66 (UL)
- ◆ FLAME CLASS:94V-2/94V-0
- ◆ COLOR:NATURAL
- ◆ UNIT:mm



PARTNO	A	B	C	F	K	T	PACKAGE
CHWK-1	17.4	12.0	5.8	7.6	8.8	0.8	500

# WIRE MOUNT

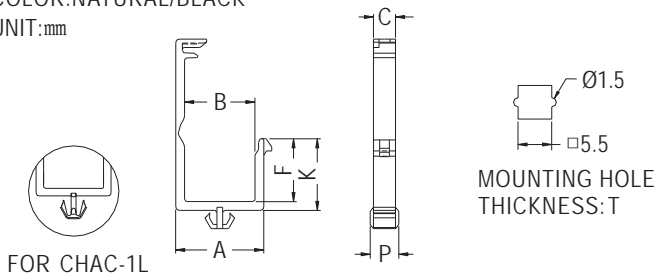
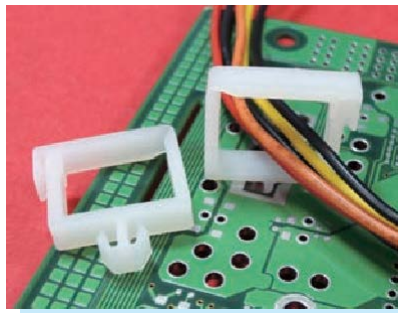
- ◆ MATERIAL:NYLON 66 (UL)
- ◆ FLAME CLASS:94V-2/94V-0
- ◆ COLOR:NATURAL/BLACK
- ◆ UNIT:mm



PARTNO	A	B	C	D	F	G	J	K	T	PACKAGE
CHWS-6	15.4	10.0	5.8	20.31	5.6	4.8	4.3	6.8	0.8~2.3	1000
★ CHWS-8.5	16.4	11.0	5.8	21.31	8.1	4.8	4.3	9.3	0.8~2.3	
CHWS-12	18.3	12.0	5.8	20.31	11.6	4.8	4.3	13.3	0.8~2.3	500
★ CHWS-14	21.4	16.0	5.8	23.31	13.6	4.8	4.3	14.8	0.8~2.3	
★ CHWS-20	25.4	20.0	5.8	27.31	19.6	4.8	4.3	20.8	0.8~2.3	
★ CHWS-30	31.4	25.6	5.8	33.31	29.4	4.8	4.3	30.8	0.8~2.3	250

# WIRE SADDLE

- ◆ MATERIAL:NYLON 66 (UL)
- ◆ FLAME CLASS:94V-2/94V-0
- ◆ COLOR:NATURAL/BLACK
- ◆ UNIT:mm



PARTNO	A	B	C	F	K	P	T	PACKAGE
CHAC-1	20.0	16.0	5.0	14.3	16.3	6.5	1.0	1000
CHAC-1L	20.0	16.0		14.3	16.3	6.7	2.0	
CHAC-2	15.1	11.1		10.5	12.5	6.5	1.0	
CHAC-3	15.1	11.1		5.3	7.3	6.5	1.0	

