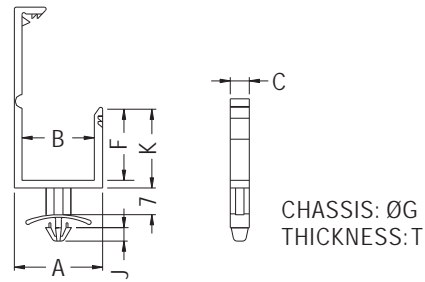


WIRE MOUNT

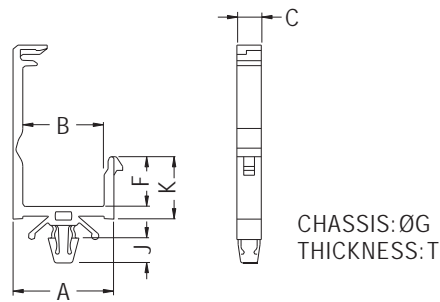
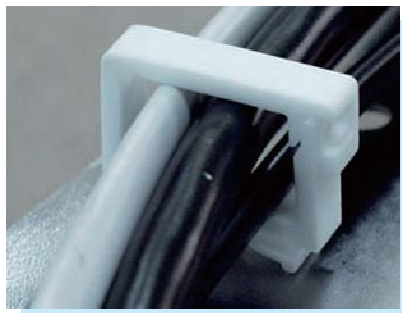
- ◆ MATERIAL: NYLON 66 (UL)
- ◆ FLAME CLASS: 94V-2/94V-0
- ◆ COLOR: NATURAL/BLACK
- ◆ UNIT: mm



PARTNO	A	B	C	F	G	J	K	T	PACKAGE
CHH-3	23.2	19.0	5.0	18.7	4.8	3.54	20.7	0.8-1.6	500

WIRE SADDLE

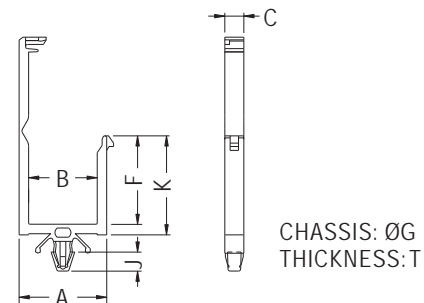
- ◆ MATERIAL: NYLON 66 (UL)
- ◆ FLAME CLASS: 94V-2/94V-0
- ◆ COLOR: NATURAL/WHITE/BLACK
- ◆ UNIT: mm



PARTNO	A	B	C	F	G	J	K	T	PACKAGE
CHM-10	20.7	16.7	5.0	10.2	4.8	5.1	12.8	0.5-2.0	1000

WIRE SADDLE

- ◆ MATERIAL: NYLON 66 (UL)
- ◆ FLAME CLASS: 94V-2/94V-0
- ◆ COLOR: NATURAL/BLACK
- ◆ UNIT: mm



PARTNO	A	B	C	F	G	J	K	T	PACKAGE
CHM-20	23.0	18.0	5.0	23.2	4.8	5.0	26.0	0.5-2.0	1000