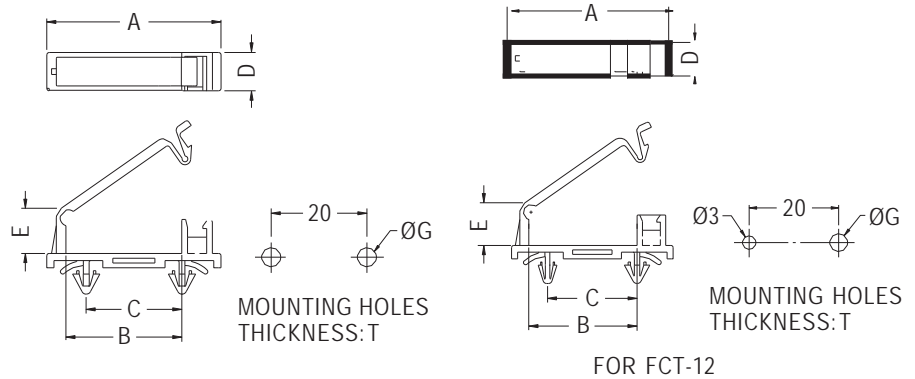


# WIRE MOUNT

- ◆ MATERIAL: NYLON 66 (UL)
- ◆ FLAME CLASS: 94V-2/94V-0
- ◆ COLOR: NATURAL/BLACK
- ◆ UNIT: mm

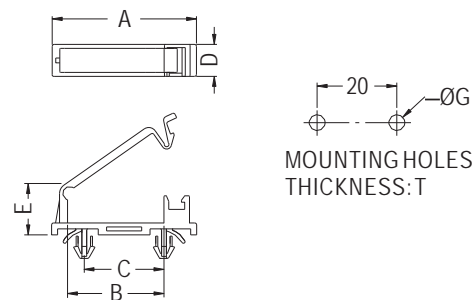


PART NO	A	B	C	D	E	G	T	PACKAGE
FCT-6	36.0	24.2	20.0	8.0	9.9	4.0	0.8~1.2	100
FCT-6L	36.1	24.2	20.0	8.0	9.9	4.0	0.8~2.0	
FCT-8	40.0	28.3	20.0	7.9	11.4	4.0	0.8~1.2	
★ FCT-12	36.0	24.2	20.0	8.0	9.5	4.0	0.8~1.2	

# WIRE MOUNT



- ◆ MATERIAL: NYLON 66 (UL)
- ◆ FLAME CLASS: 94V-2/94V-0
- ◆ COLOR: NATURAL/BLACK
- ◆ UNIT: mm

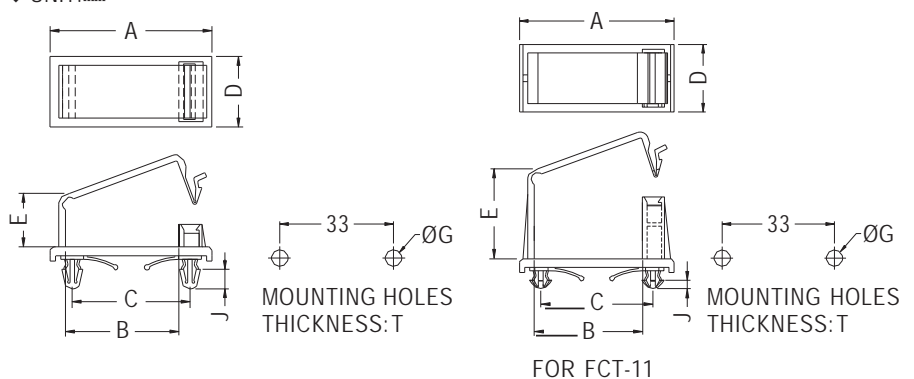


PART NO	A	B	C	D	E	G	T	PACKAGE
FCTB-1	36.5	24.2	20.0	8.0	12.9	4.0	1.2~2.5	100

# WIRE MOUNT



- ◆ MATERIAL: NYLON 66 (UL)
- ◆ FLAME CLASS: 94V-2/94V-0
- ◆ COLOR: NATURAL/BLACK
- ◆ UNIT: mm



PART NO	A	B	C	D	E	G	J	T	PACKAGE
FCT-7	45.4	31.8	33.0	19.8	14.9	4.8	5.5	0.8~2.2	100
FCT-9	45.4	31.8	33.0	19.8	14.9	4.8	2.4	0.8~2.2	
★ FCT-11	45.4	31.8	33.0	19.8	26.5	4.8	2.4	0.8~2.2	

