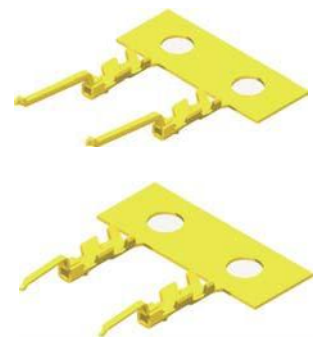
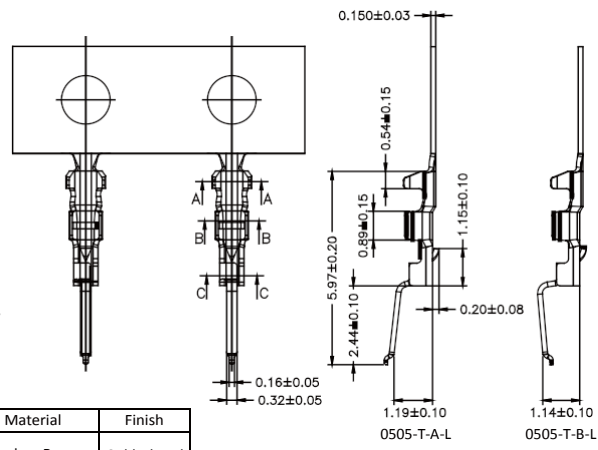
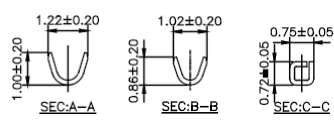


0.5mm Terminal / Housing / Wafer SMT Right Angle Type

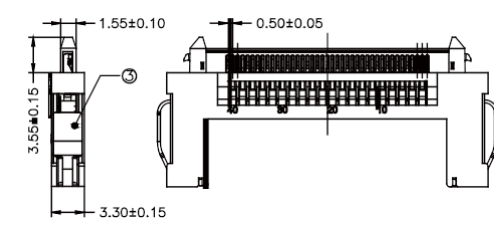
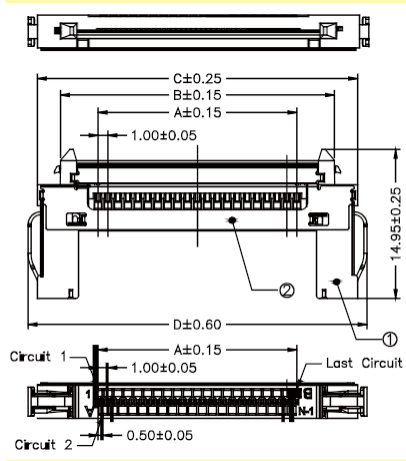
Specifications
 Current Rating: 0.7A AC,DC
 Voltage Rating: 100V AC,DC
 Temperature Range: -25°C to +85°C
 Contact Resistance: 50mΩ Max
 Insulation Resistance: 100MΩ Min
 Withstanding Voltage: 500V AC/minute
 Terminal: Phosphor Bronze / Gold Plated
 Shell: Phosphor Bronze / Tin Plated
 Material: Housing: Nylon 46, UL94V-0
 Wafer: LCP, UL94V-0



Part No.	Wire Range	InsulaGon O.D.	Material	Finish
0505-T-A-L	#30-#36	0.75mm(Max)	Phosphor Bronze	Gold Plated
0505-T-B-L				

Part No.:0505-T-A-L / 0505-T-B-L

Housing Wafer Terminal

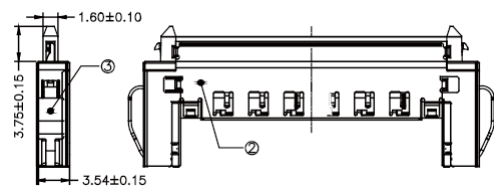
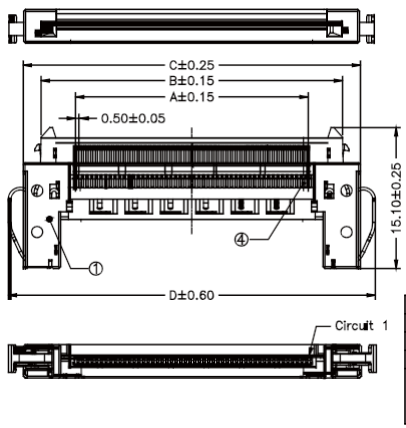


No.	Description	Material	Color
1	Insulator	Nylon 46,UL94V-0	Natural(Black)
2	Ground plate	Stainless	---
3	Lock lever	Stainless	---



No. of Contacts	Dimensions			
	A	B	C	D
21	10.00	17.54	22.20	24.34
31	15.00	22.54	27.20	29.34
41	20.00	27.54	32.20	34.34
51	25.00	32.54	37.20	39.34

Part No.:0505H-XXB-U

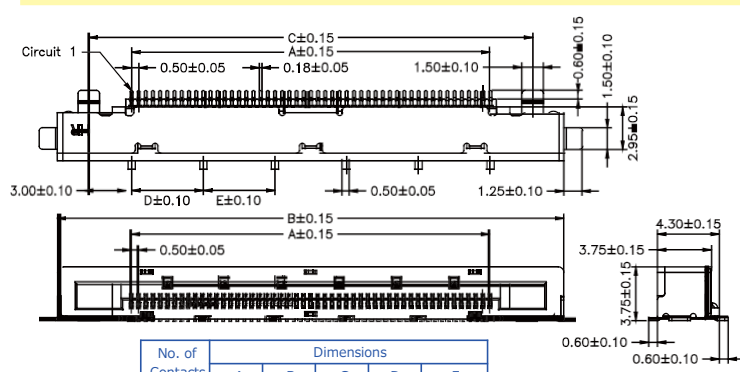


No.	Description	Material	Color
1	Insulator	LCP,UL94V-0	Natural(Black)
2	Ground plate	Phosphor Bronze/Tin-plated	---
3	Lock lever	Stainless	---
4	Contact	Phosphor Bronze/ Gold-plated on contact area; Tin-plated on solder area	---

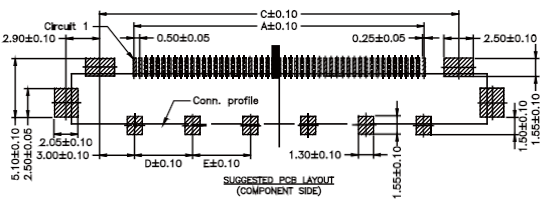


No. of Contacts	Dimensions			
	A	B	C	D
21	10.00	17.40	21.25	24.45
31	15.00	22.40	26.25	29.45
41	20.00	27.40	31.25	34.45
51	25.00	32.40	36.25	39.45

Part No.:0505HA-XXB-U



No. of Contacts	Dimensions				
	A	B	C	D	E
21	10.00	20.35	16.00	3.00	---
31	15.00	25.35	21.00	4.00	---
41	20.00	30.35	26.00	4.00	4.00
51	25.00	35.35	31.00	5.00	5.00



Part No.:0505MR-XXGB-U