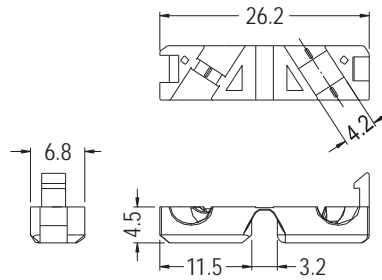


STARAIN RELIEF BUSHING

- ◆ MATERIAL: NYLON 66 (UL)
- ◆ FLAME CLASS: 94V-2/94V-0
- ◆ COLOR: NATURAL/BLACK/GRAY
- ◆ UNIT: mm

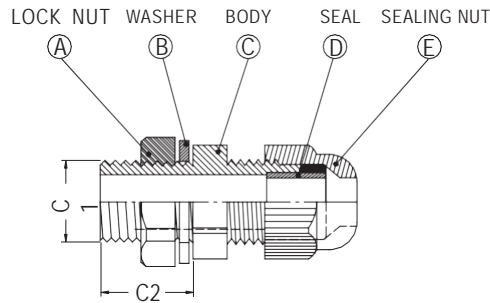


PARTNO	PACKAGE
SBQC-1	100

CABLE GLANDS



- ◆ MATERIAL: A,C,E=NYLON 66 (UL)
B,D=EPDM
- ◆ FLAME CLASS: 94V-2/94V-0
- ◆ COLOR: BLACK
- ◆ UNIT: mm



PARTNO	THREADED ENTRY METRIC	CABLE RANGE	THREADED O. D. C1	THREADED LENGTH C2	PANEL MOUNTING HOLE	SPANNER SIZE A & E	PACKAGE
KGB12-07	M12X1.5P	Ø6.8~Ø4.0	Ø11.8	15.0	Ø12.0~Ø12.3	18/15	200
KGB12-07-ST	M12X1.5P	Ø6.8~Ø4.0	Ø11.8	8.5	Ø12.0~Ø12.3	18/15	
KGB12-08	M12X1.5P	Ø8.5~Ø4.5	Ø11.8	8.5	Ø12.0~Ø12.3	18/15	
KGB16-10	M16X1.5P	Ø10.4~Ø6.4	Ø15.8	15.0	Ø16.0~Ø16.3	22/22	
KGB16-10-ST	M16X1.5P	Ø10.4~Ø6.4	Ø15.8	10.0	Ø16.0~Ø16.3	22/22	
KGB20-14	M20X1.5P	Ø14.0~Ø8.5	Ø19.8	15.0	Ø20.0~Ø20.3	27/27	
KGB20-14-ST	M20X1.5P	Ø14.0~Ø8.5	Ø19.8	10.0	Ø20.0~Ø20.3	27/27	
KGB25-16	M25X1.5P	Ø16.0~Ø12.0	Ø24.9	15.0	Ø25.0~Ø25.4	33/33	
KGB25-16-ST	M25X1.5P	Ø16.0~Ø12.0	Ø24.9	10.0	Ø25.0~Ø25.4	33/33	
KGB32-25	M32X1.5P	Ø25.0~Ø18.0	Ø31.8	15.0	Ø32.0~Ø32.4	41/42	
KGB32-25-ST	M32X1.5P	Ø25.0~Ø18.0	Ø31.8	10.0	Ø32.0~Ø32.4	41/42	
KPGB7-5	PG7	Ø5.5~Ø3.0	Ø12.3	8.0	Ø12.5~Ø12.8	17/15	
KPGB9-9	PG9	Ø8.0~Ø4.5	Ø15.1	8.5	Ø15.2~Ø15.5	22/19	
KPGB11-7	PG11	Ø7.0~Ø4.0	Ø18.4	10.0	Ø18.6~Ø18.9	24/22	
KPGB13.5-8	PG13.5	Ø9.0~Ø5.0	Ø20.2	10.0	Ø20.4~Ø20.7	27/24	

