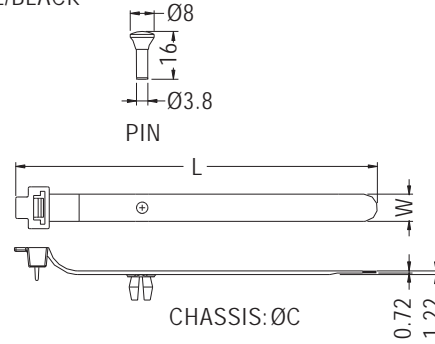
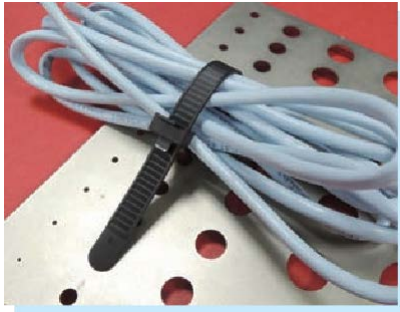


CABLE TIES

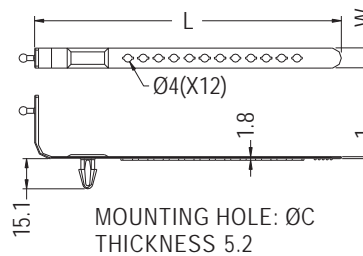
- ◆ MATERIAL: NYLON 66 (UL)
- ◆ FLAME CLASS: 94V-2/94V-0
- ◆ COLOR: NATURAL/BLACK
- ◆ UNIT: mm



PART NO	C	L	W	PACKAGE
STC-121	7.0~7.2	121.0	9.1	100
STC-176	7.0~7.2	171.2	9.1	

CABLE TIES

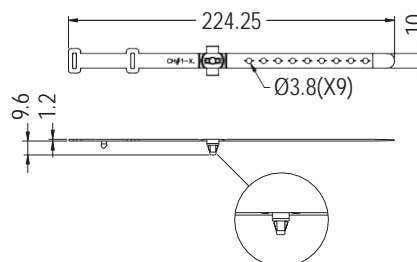
- ◆ MATERIAL: LDPE
- ◆ COLOR: BLACK
- ◆ UNIT: mm



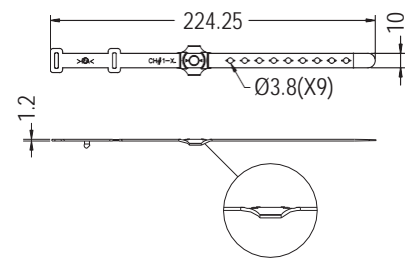
PART NO	C	L	W	PACKAGE
STCA-161	7.0	153.5	10.0	500

CABLE TIES

- ◆ MATERIAL: NYLON 66 (UL)
- ◆ FLAME CLASS: 94V-2/92V-0
- ◆ COLOR: NATURAL/BLACK/WHITE/GRAY
- ◆ UNIT: mm



PART NO	PACKAGE
STCA-224	500



PART NO	PACKAGE
STCA-225	500

