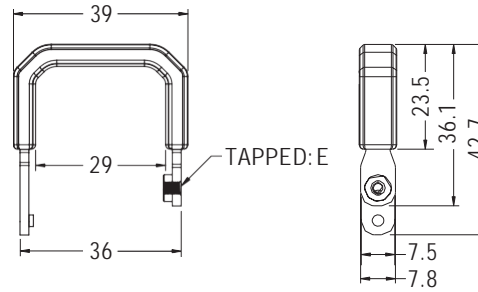


HANDLE

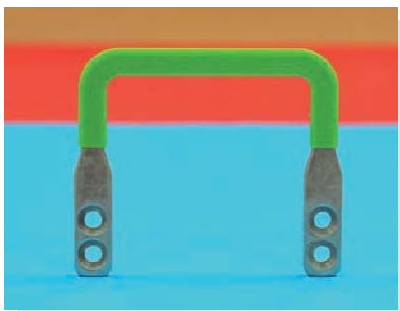


- ◆ BODY MATERIAL:PC+ABS (UL)
- ◆ METAL MATERIAL:ZINC PLATING SPCC
- ◆ BODY FLAME CLASS:94V-2/94V-0
- ◆ COLOR:BLACK
- ◆ UNIT:mm

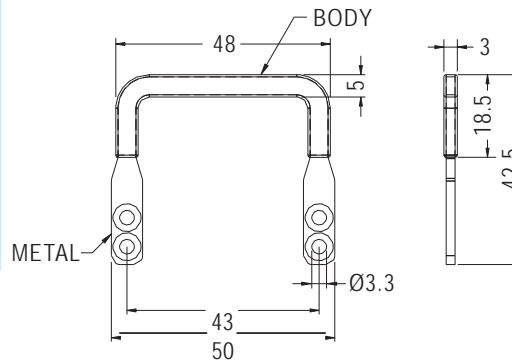


PART NO	E	PACKAGE
HAND-29	M2.5X0.45P	250

HANDLE



- ◆ BODY MATERIAL:SILICON RUBBER
- ◆ METAL MATERIAL:ZINC PLATING SPCC
- ◆ COLOR:GREEN
- ◆ UNIT:mm

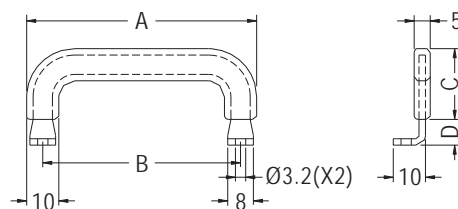


PART NO	PACKAGE
HAND-71	500

HANDLE



- ◆ BODY MATERIAL:PC+ABS (UL)
- ◆ METAL MATERIAL:ZINC PLATING SPCC
- ◆ BODY FLAME CLASS:94V-2/94V-0
- ◆ COLOR:BLACK
- ◆ UNIT:mm



PART NO	A	B	C	D	PACKAGE
HAND-30	71.5	61.5	22.0	8.0	250
HAND-31	51.6	41.6	21.0	9.0	

