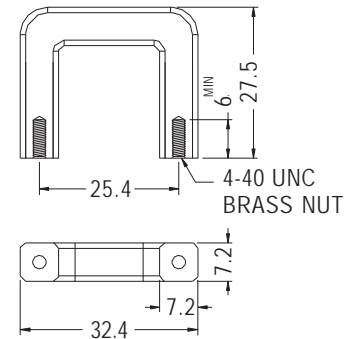
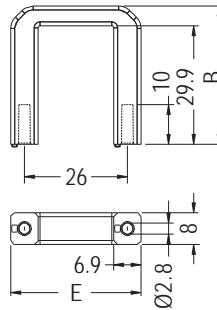


**HANDLE**



- ◆ MATERIAL:PC+ABS (UL)
- ◆ FLAME CLASS:94V-0
- ◆ COLOR:BLACK
- ◆ UNIT:mm



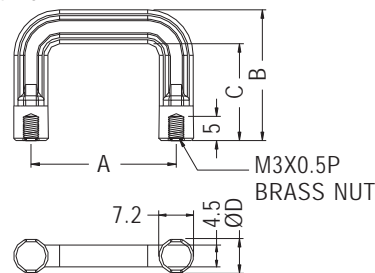
PART NO	B	E	PACKAGE
HANU-102	34.9	32.9	250
★ HANU-102-1	35.0	33.0	

PART NO	PACKAGE
HANU-103	250

**HANDLE**



- ◆ MATERIAL:PC (UL)
- ◆ FLAME CLASS:94V-0
- ◆ COLOR:BLACK
- ◆ UNIT:mm

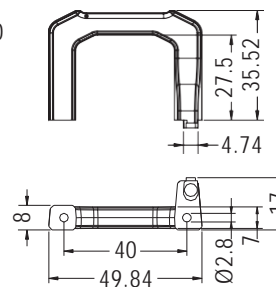


PART NO	A	B	C	D	PACKAGE
HANU-108	30.0	27.0	20.0	6.8	250
★ HANU-114	30.0	34.0	27.0	6.8	

**HANDLE**



- ◆ MATERIAL:PC (UL)
- ◆ FLAME CLASS:94V-2/94V-0
- ◆ COLOR:TRANSPARENT
- ◆ UNIT:mm

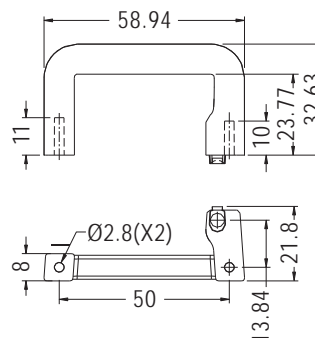


PART NO	PACKAGE
HANU-80	250

**HANDLE**



- ◆ MATERIAL:PC (UL)
- ◆ FLAME CLASS:94V-0
- ◆ COLOR:TRANSPARENT
- ◆ UNIT:mm



PART NO	PACKAGE
HANU-113	100

